

Entertainment Services and
Technology Association



American National Standard
E1.11 - 2004

Entertainment Technology
USITT DMX512-A

Asynchronous Serial Digital Data
Transmission Standard for Controlling
Lighting Equipment and Accessories

Entertainment Services and Technology Association



American National Standard
E1.11 - 2004

Entertainment Technology
USITT DMX512-A

Asynchronous Serial Digital Data
Transmission Standard for Controlling
Lighting Equipment and Accessories

CP/1998-1031r8.0

This edition of ANSI E1.11 was approved by American National Standards Institute on November 8, 2004.

©2004 ASC E1, Safety and Compatibility of Entertainment Technical Equipment and Practices, and its secretariat the Entertainment Services and Technology Association. All rights reserved. No part of this publication may be reproduced in any material form (including photocopying or storing by electronic means) without the written permission of the copyright holder. Any parties wishing to translate and publish this document in another language must receive permission from the copyright holder.

Notice and Disclaimer

ESTA and ANSI Accredited Standards Committee E1 (for which ESTA serves as the secretariat) do not approve, inspect, or certify any installations, procedures, equipment or materials for compliance with codes, recommended practices or standards. Compliance with an ESTA standard or recommended practice, or an American National Standard developed under Accredited Standards Committee E1 is the sole and exclusive responsibility of the manufacturer or provider and is entirely within their control and discretion. Any markings, identification or other claims of compliance do not constitute certification or approval of any type or nature whatsoever by ESTA or Accredited Standards Committee E1.

ESTA and ANSI Accredited Standards Committee E1 (ASC E1) neither guaranty nor warrant the accuracy or completeness of any information published herein and disclaim liability for any personal injury, property or other damage or injury of any nature whatsoever, whether special, indirect, consequential or compensatory, directly or indirectly resulting from the publication, use of, or reliance on this document.

In issuing and distributing this document, ESTA and ASC E1 do not either (a) undertake to render professional or other services for or on behalf of any person or entity, or (b) undertake any duty to any person or entity with respect to this document or its contents. Anyone using this document should rely on his or her own independent judgement or, as appropriate, seek the advice of a competent professional in determining the exercise of reasonable care in any given circumstance.

Published By:

**Entertainment Services and
Technology Association**

875 Sixth Avenue, Suite 1005
New York, NY 10001 USA
Phone: +1-212-244-1505
Fax: +1-212-244-1502
Email: standards@esta.org

For Electronic Copies of this Document Contact:

ANSI

<http://webstore.ansi.org>

For Additional Copies of this
Document Contact:

ESTA Publications

c/o USITT
6443 Ridings Road, Suite 134
Syracuse, NY 13206 USA
Phone: +1-315-463-6463
Fax: +1-315-463-6525

The ESTA Technical Standards Program

The ESTA Technical Standards Program was created to serve the ESTA membership and the entertainment industry in technical standards related matters. The goal of the Program is to take a leading role regarding technology within the entertainment industry by creating recommended practices and standards, monitoring standards issues around the world on behalf of our members, and improving communications and safety within the industry. ESTA works closely with the technical standards efforts of other organizations within our industry including USITT, PLASA, and VPLT as well as representing the interests of ESTA members to ANSI, UL, and the NFPA. The Technical Standards Program is accredited by the American National Standards Institute as Accredited Standards Committee E1, Safety and Compatibility of Entertainment Technical Equipment and Practices.

The Technical Standards Committee (TSC) was established by ESTA's Board of Directors to oversee and coordinate the Technical Standards Program. Made up of individuals experienced in standards-making work from throughout our industry, the Committee approves all projects undertaken and assigns them to the appropriate working group. The Technical Standards Committee employs a Technical Standards Manager to coordinate the work of the Committee and its working groups as well as maintain a "Standards Watch" on behalf of members. Working groups include: Camera Cranes, Control Protocols, Electrical Power, Floors, Fog and Smoke, Photometrics, and Rigging.

ESTA encourages active participation in the Technical Standards Program. There are several ways to become involved. If you would like to become a member of an existing working group, as have over two hundred people, you must complete an application which is available from the ESTA office. Your application is subject to approval by the working group and you will be required to actively participate in the work of the group. This includes responding to letter ballots and attending meetings. Membership in ESTA is not a requirement. You can also become involved by requesting that the TSC develop a standard or a recommended practice in an area of concern to you.

The Control Protocols Working Group, which authored this standard, consists of a cross section of entertainment industry professionals representing manufacturers, consultants, dealers, and end-users. ESTA is committed to developing consensus-based standards and recommended practices in an open setting. Future Control Protocols Working Group projects will include updating this publication as changes in technology and experience warrant, as well as developing new standards and recommended practices for the benefit of the entertainment industry.

The United States Institute for Theatre Technology, Inc. (USITT) is the Association of Design, Production, and Technology Professionals in the Performing Arts and Entertainment Industry. Founded in 1960, the mission of the Institute is to advance the professions of design and technology in the performing arts by disseminating information, actively promoting the advancement of knowledge and skills and facilitating national and international communication among its members. USITT is the United States Center of OISTAT, the International Organization of Scenographers, Theatre Architects and Technicians.

USITT
6443 Ridings Rd.
Syracuse, NY 13206-1111
(800) 93USITT (315) 463-6463 (315) 463-6525 FAX
<http://www.usitt.org>

SUPERSEDED

Contents

Foreword	vi
1 General	1
1.1 Scope	1
1.2 Overview and Architecture	1
1.3 Appropriate uses of this Standard	1
1.4 Classes of data appropriate for transmission over links designed to this Standard	2
1.5 Classes of data not appropriate for transmission over links designed to this Standard	2
1.6 Compliance	2
2 Normative references	2
3 Definitions	3
4 Electrical Specifications and Physical Layer	6
4.1 General	6
4.2 Electrical isolation	6
4.3 Topology	6
4.4 DMX512 ports	6
4.5 Data link common and grounding topologies	7
4.6 Preferred method of earth grounding data link common	7
4.7 Primary data link	7
4.8 Secondary data link	7
4.9 Data Link termination procedures	7
4.10 Unpowered devices	8
5 Nominal Operating Characteristics	8
5.1 General	8
5.2 Chassis in power isolated equipment	8
5.3 Earth grounding of data link common for transmitters	8
5.4 Ground referenced transmitters	8

5.5 Disallowed transmitter topology	10
5.6 Earth grounding of data link common for receivers	10
5.7 Isolated Receiver characteristics	10
5.8 Disallowed receiver topology	12
5.9 DMX512 Processing devices	12
5.10 Loading designation	12
6 Protection	13
6.1 Minimum protection against interconnection damage	13
6.2 Minimum Electro Static Discharge (ESD) protection	13
7 Connection Methods	13
7.1 Equipment fitted with user accessible pluggable data link connections	13
7.2 Equipment intended for fixed installation with internal connections to the data link	14
7.3 IEC 60603-7 8-position modular connectors	14
8 Data Protocol	15
8.1 Format	15
8.2 Slot format	15
8.3 Break	16
8.4 Mark After Break	16
8.5 START code	16
8.6 Maximum number of data slots	18
8.7 Minimum number of data slots	18
8.8 Defined line state between slots	18
8.9 Defined line state between data packets (Mark Before Break)	18
8.10 Break-to-Break spacing	18
8.11 Timing Diagram - data+	19
9 Receiver Performance	20
9.1 Rejection of improperly framed slots	20

9.2 Loss of data tolerance / Resumption of acceptance of data	20
9.3 Receiver performance at maximum refresh rate	21
9.4 Packet processing latency	21
10 Marking and disclosures	21
10.1 Identification	21
10.2 DMX512 port marking	21
10.3 Data line termination marking	22
10.4 Ground / Isolation marking	22
10.5 Required disclosures and markings	22
11 Protocol Implementation Conformance Statement (PICS) - Informative	23
11.1 Introduction	23
11.2 Implementation identification	23
11.3 PICS tables for USITT DMX512-A	25
Annex A - Non Preferred (Alternate) topologies (Normative)	32
A1 Isolated transmitters	32
A2 Non-isolated receivers	33
A3 Grounded Receivers	34
A4 Earth grounding of data link common for floating devices	35
Annex B (Normative) - Enhanced DMX512	37
B1 General	37
B2 Summary of Enhanced Function Topologies	37
B3 Identification of data protocols for Enhanced DMX512	38
B3.1 EF1 Half Duplex DMX512 - Bidirectional use of the primary data link	38
B3.2 EF2 - Full duplex DMX512	38
B3.3 EF3 Half duplex on the second data link	39
B3.4 EF4 Protocols that use the primary and the secondary data links in ways not covered above	40
B3.5 Additional electrical requirements	40
Annex C (Normative) - Higher Protection Levels – “DMX512-A Protected”	41
Annex D (Normative) - Reserved Alternate START Codes	42
D1 Reserved Alternate START Codes	42
D2 ASC text packet	42
D3 ASC test packet	43
D4 System Information Packet (SIP) Alternate START Code	43
D4.1 Application	43

D4.2 SIP format	43
D4.3 SIP checksum pointer	43
D4.4 Control bit field	44
D4.5 Checksums	45
D4.6 SIP Sequence number	45
D4.7 Originating universe	45
D4.8 DMX512 processing level	45
D4.9 Software version	45
D4.10 Packet lengths	45
D4.11 Number of packets	45
D4.12 Manufacturer ID	46
D4.13 Packet history	46
D4.14 SIP Checksum	46
Annex E (Normative) - Alternate START Code, Manufacturer ID, and Enhanced Functionality	
Registration	47
E1 Alternate START Code Registration Policy: 1 - 255 decimal (01 - FF hexadecimal)	47
E2 Authorized use	47
E3 Reserved Alternate START Codes	47
E4 Requests for Registration of New START Codes	47
E4.1 Number of Alternate START Codes per entity	47
E4.2 Selection of the Alternate START Code value and Manufacturer ID	47
E5 Requirements for registration of an EF protocol	47
E6 Documentation Register	48
E6.1 Documentation for use of Alternate START Codes	48
E6.2 Maintenance and publication	48
E6.3 Supplemental documentation	48
E7 Ownership	48
Annex F (Informative) - Protocol Implementation Conformance Statement (PICS) for Annexes A	
through E	49
F1 Introduction	49
F2 Implementation identification	49
F2.1 Identification	49
F2.2 Protocol summary	49
F3 (PICS) tables for Annexes A through E	50
F3.1 Annex A – Non preferred (alternate) topologies	50

F3.2 Annex B – Enhanced DMX512	52
F3.3 Annex C – Higher Protection Levels (DMX512-A Protected)	56
F3.4 Annex D – Reserved Alternate START Codes	56
F3.5 Annex E – Alternate START Code, Manufacturer ID, and Enhanced Functionality Registration	59

Tables:

1 - Ground Referenced Transmitter Characteristics	9
2 - Isolated Receiver Characteristics	11
3 - Signal Designations Summary	13
4 - Connection Schedule for DMX512 Equipment Using IEC 60603-7 8-Position Modular Connectors	15
5 - Data Slot Format	15
6 - Timing Diagram Values - Output of Transmitting UART	20
7 - Timing Diagram Values for Receivers	20
8 - Signal Designations Abbreviations Allowed for Marking	21
9 - Ground / Isolation Marking	22
A1 - Isolated Transmitter Characteristics	33
A2 - Non-Isolated Receiver Characteristics	34
B1 - Enhanced Function Topologies	37
C1 - Transmitter Protection	41
C2 - Receiver Protection	41
D1 - Reserved Alternate START Codes	42
D2 - SIP Format	44

Figures:

1 - Ground Referenced Transmitter	9
2 - Transmitter Topology NOT Allowed	10
3 - Isolated Receiver	11
4 - Receiver Topology NOT Allowed	12
5 - Timing Diagram	19
A1 - Isolated Transmitter	32
A2 - Non-Isolated Receiver	33
A3 - Grounded Receiver	35
A4 - DMX512 Device, Floating	36

Foreword

(This foreword contains no requirements and is not part of E1.11)

This Standard describes a method of digital data transmission between controllers and controlled lighting equipment and accessories, including dimmers and related equipment. This Standard is intended to provide for interoperability at both communication and mechanical levels with controllers made by different manufacturers.

There are five normative annexes in this Standard. These address extensions of the base standard and are considered part of the Standard, which means that when an extension described in an Annex is implemented, compliance with the annex is mandatory. However, a product compliant with the Standard can be manufactured without implementing these annexes.

The original version of the DMX512 Standard was developed in 1986 by the Engineering Commission of the United States Institute for Theatre Technology, Inc. (USITT). Minor revisions were made in 1990. DMX512 has gained international acceptance throughout the entertainment industry, even though USITT is not formally accredited as a standards making body. The earlier versions of this Standard covered only data used by dimmers. In practice this Standard has been used by a wide variety of devices; this version recognizes this fact.

In 1998, it became evident that additional updates to the Standard were necessary and formal recognition through an internationally recognized standards organization was required. USITT issued a Call for Comments in order to solicit recommendations for changes to the Standard. At the same time, USITT transferred maintenance of DMX512 to ANSI Accredited Standards Committee E1, *Safety and Compatibility of Entertainment Technical Equipment and Practices* (more commonly known as the ESTA Technical Standards Program, or TSP).

A Task Group established under the TSP's Control Protocols Working Group acted on the proposals received in response to the Call for Comments. The primary goal was to make editorial updates to DMX512 appropriate for current times, including the addition of technical features while maintaining a balance with backward compatibility. Many proposals, while technically innovative, could not be accepted because their implementation would not have been backward compatible and would have immediately rendered obsolete most of the installed base of equipment.

This document is a result of the actions taken on those proposals and subsequent development under the *Policies and Procedures* of the ESTA Technical Standards Program. Despite being an American National Standard, development has had strong international participation and support.

1 General

1.1 Scope

This Standard describes a method of digital data transmission between controllers and controlled equipment as described in Clause 1.4 and accessories, including dimmers. It covers electrical characteristics, data format, data protocol, and connector types.

This Standard is intended as a guide for:

1. Equipment manufacturers and system specifiers who wish to integrate systems of lighting equipment and accessories, including dimmers, with controllers made by different manufacturers.
2. Equipment manufacturers seeking to implement a standard digital transmission protocol in their lighting control and accessory products.
3. System specifiers and designers to gain detailed information about allowed connectors and allowed system topologies.

This standard is not intended to replace existing protocols other than USITT DMX512 and DMX512/1990. Cable requirements and premises wiring are not within the scope of this standard.

Equipment compliant with this standard will be marked DMX512-A or USITT DMX512-A in order to distinguish it from the previous (informally recognized) versions. Unless otherwise noted, references to DMX512 in this document refer to DMX512-A.

1.2 Overview and Architecture

This standard uses a simple asynchronous eight-bit serial protocol consisting of an untyped byte stream produced by standard UARTs. The physical media, not addressed in this document, is normally, but not exclusively, a two-pair cable, with each pair serving as a data link. The media is driven using ANSI/TIA/EIA-485-A-1998 (hereafter referred to as EIA-485-A in this document) balanced data transmission techniques. Physical connection at devices is via 5-pin XLR connectors or by “hard-wiring” to terminals. Restricted use of connectors other than 5-pin XLR is allowed if certain conditions apply (see clause 7).

Data on the primary data link is sent in packets of up to 513 slots. The first slot is a START Code, which defines the information in the subsequent slots in the packet. The interoperability of equipment complying with the Standard is largely due to the use of the NULL START Code by transmitting devices. Proper function is dependent upon the receiving device(s) extracting the pertinent data for processing from each transmitted packet.

Data on the secondary data link, when implemented, is used for a variety of purposes, all of which fall within the scope of EIA-485-A. Identification of the required circuit topology for any particular implementation is defined.

1.3 Appropriate uses of this Standard

Equipment designers and general users of this Standard will recognize that this Standard is intended to fill only a limited range of uses. Other standards will be more appropriate for different uses.

This is not intended to support a venue wide network that can carry data for lighting, sound, and scenery mechanization, for example, all on the same wire.

This Standard does not require mandatory error checking of NULL START Code packets. There is no assurance that all DMX512 packets will be delivered. It is common practice for merge units and protocol convertors to drop packets that they cannot process in a timely manner. The 1986 and 1990 versions of the USITT Standard specifically allow dimmers to ignore packets that they cannot process in a timely manner, and this concept survives in this version of the Standard with respect to NULL START Code packets.

1.4 Classes of data appropriate for transmission over links designed to this Standard

DMX512 is designed to carry repetitive control data from a single controller to one or more receivers. This protocol is intended to be used to control dimmers, other lighting devices and related non-hazardous effects equipment.

1.5 Classes of data not appropriate for transmission over links designed to this Standard

Since this Standard does not mandate error checking, DMX512 is not an appropriate control protocol for hazardous applications.

1.6 Compliance

Compliance with this Standard is strictly voluntary and the responsibility of the manufacturer. Markings and identification or other claims of compliance do not constitute certification or approval by the E1 Accredited Standards Committee. See clause 10 for Marking and Disclosure requirements. See clause 11 and Annex F for Protocol Implementation Conformance Statements (PICS).

2 Normative references

ANSI/TIA/EIA-568-B-2001 *Commercial Building Telecommunications Cabling Standard*

ANSI/TIA/EIA-485-A-1998 *Electrical Characteristics of Generators & Receivers for Use in Balanced Digital Multipoint Systems*

This standard will be referred to as EIA-485-A in this document.

Electronics Industries Alliance
2500 Wilson Boulevard
Arlington, VA 22201-3834 USA
+1-703-907-7500
<http://www.eia.org/>

Telecommunications Industry Association
2500 Wilson Blvd., Suite 300
Arlington, VA 22201 USA
+1-703- 907-7700 fax: +1-703-907-7727
<http://www.tiaonline.org/>

Note: EIA-485-A is compatible with: ISO/IEC 8482:1993 Information Technology - Telecommunications and information exchange between systems - Twisted pair multipoint interconnections.

ISO/IEC 646 *Information Technology - ISO 7-bit Coded Character Set for Information Interchange*

IEC 60603-7

*Connectors for Frequencies Below 3 MHz for Use with Printed Wiring Boards-
Part 7: Detail Specification for Connectors, 8-Way, Including Fixed and Free
Connectors with Common Mating Features, with Assessed Quality*

IEC
International Electrotechnical Commission
PO Box 131
3 rue de Varembe
1211 Geneva 20
Switzerland
+41 22 919 02 11
www.iec.ch

ISO
International Organization for Standardization
1, Rue de Varembe
Case Postale 56
CH-1211 Geneva 20
Switzerland
+41 22 74 901 11
www.iso.ch

USITT DMX512/1990

Digital Data Transmission Standard for Dimmers and Controllers

USITT
6443 Ridings Rd.
Syracuse, NY 13206-1111
+1-800-938-7488 +1-315-463-6463 Fax: +1-315-463-6525
<http://www.usitt.org>

3 Definitions

3.1 Asynchronous: signals that start at any time and are not locked or synchronized to the receiving device by a separate clock line.

3.2 Balanced Transmission Line: a data communications line where two wires are present, the signal and its opposite (complement), the actual signal being the difference between the voltages on the two wires. Balanced lines have excellent noise and interference rejection properties.

3.3 Break: a high (mark) to low (space) transition followed by a low of at least 88 microseconds followed by a low to high transition.

3.4 Circuit Common: the common reference (zero volt supply) of the EIA-485-A driver or receiver circuitry.

3.5 Common: see Data Link, Signal Common, and Circuit Common.

3.6 Common Mode Voltage: a voltage appearing equally on the data+ (plus) and data- (minus) lines relative to circuit Common. $V_{cm} = (V_a + V_b)/2$ where:

V_{cm} is the Common Mode Voltage

V_a is the voltage on DMX512 data+ with respect to circuit Common

V_b is the voltage on DMX512 data- with respect to circuit Common

3.7 Controller: a transmitting device that originates DMX512 data.

3.8 Data+: signal true.

3.9 Data-: signal complement.

3.10 Data Link: physical connection between transmitting and receiving devices.

3.11 Data Link Common: the connection to circuit Common at the point of interconnection (DMX512 Port) of the product.

3.12 DMX512 Port: a DMX512 signal connection point (connector or terminal strip).

3.13 DMX512 Processing Device: a piece of equipment that regenerates the timing of any DMX512 packet or has provision for other signal inputs from which the outgoing DMX512 packet is generated. In the absence of any DMX512 transmitting capability, the device has provision for other signal outputs that are controlled in some manner by the incoming DMX512 packet. Basic buffer products are not normally considered processing devices.

3.14 Earth Ground: the common, zero potential available from the mains electricity supply and usually connected to the metal chassis of equipment. Earth Ground is referred to as Earth in Europe and Ground in the USA.

3.15 Enhanced Functionality: use of the optional secondary data link of a DMX512 port and/or optional additional use of the primary data link of a DMX512 port.

3.16 Idle: the time between slots that the DMX512 line is high and not sending any information (also known as the 'Mark' condition).

3.17 In-Line Device: any component that receives and re-transmits DMX512.

3.18 Isolated: circuit topology in which the output is completely electrically disconnected from the input.

3.19 Legacy (as used in this Standard): transmitting and receiving devices complying with the original USITT DMX512 or DMX512/1990 in all aspects of those standards. (Exception: receiving devices that are not dimmers but comply with all other aspects of DMX512/1990 are considered to be Legacy Equipment.)

3.20 Line Driver: an electrical circuit providing differential voltage excursions on a data link, operating within a defined Common Mode voltage range and with a specified response to overload and overvoltage conditions. Sometimes simply referred to as a "driver."

3.21 Line Receiver: an electrical circuit allowing detection of differential voltage excursions on a data link, operating within a defined Common Mode voltage range and with a specified response to overload and overvoltage conditions.

3.22 Loop-Through Connection: a connector or terminal DMX512 port that connects the signals Data 1+, Data 1- and Data link common, and optionally Data 2+ and Data 2-, of one DMX512 port to another DMX512 port. Frequently abbreviated to Loop or Thru.

3.23 Manufacturer ID: a two-byte value assigned to a Manufacturer/Organization by the E1 Accredited Standards Committee for use with specific Alternate START Codes. This ID identifies the data contained in the packet as proprietary. This packet may be safely ignored by systems that do not implement the specific start code.

3.24 Mark: a line condition where Signal True is high with respect to Signal Complement. A Mark represents a binary 1.

3.25 MAB (MaB): Mark After Break – the period of time between the low to high transition that signifies the end of Break and the high to low transition which is the start bit of the START Code (slot 0).

3.26 MBB (MbB): Mark Before Break – the period of time between the end of the second stop bit of the last slot and the high to low transition that signifies the start of Break.

3.27 Merge Unit: a product comprising one or more receiving devices and one or more transmitting devices that generate a DMX512 packet derived from the manufacturers declared logical combination of the DMX512 input packets.

3.28 NULL START Code: a START Code with a value of zero (00h).

3.29 Packet (in DMX512-A): a Reset Sequence followed by all slots up to the Mark Before Break.

3.30 Receiver (Receiving Device): a piece of equipment that accepts a DMX512 signal.

3.31 Refresh Rate: the number of DMX512 packets with a NULL START Code sent per second.

3.32 Reset Sequence: a sequence of a Break, Mark After Break, and START Code.

3.33 Signal Common: the common reference conductor of the physical media (e.g., the cable shield).

3.34 Slot: a sequentially numbered framed byte in a DMX512 packet. A single Universe contains a maximum of 513 Slots, starting at slot 0. Slot 0 is the START Code. Slots 1 through 512 are data slots.

3.35 Slot Footprint: the number of data slots used by a product in its operation.

Note: A 24 way dimmer rack may have a footprint of 24, it may be more if some slots are used to provide additional control functions using NULL START Code packets. Automated luminaires usually require a Slot Footprint of greater than one.

3.36 Space: a line condition where Signal True is low with respect to Signal Complement. A Space represents a binary 0.

3.37 Start Bit: the additional bit attached to the beginning of a byte to indicate to the receiver that a new byte is being sent. The start bit is always low, i.e., Space.

3.38 START Code: the first slot sent after Break, indicating the type of information to follow.

3.39 Stop Bit: the additional bit(s) attached to a byte to indicate the end of the byte – DMX512 has 2 stop bits. The stop bit is always high, i.e., Mark.

3.40 Terminator: a device or circuit topology that is designed to minimize unwanted signal reflections on a data link.

3.41 Transmitting Device: a piece of equipment that produces a DMX512 signal.

3.42 UART: Universal Asynchronous Receiver/Transmitter. A device that generates and/or decodes serially transmitted data.

3.43 Universe: a DMX512 data link originating from a single DMX512 source. Control of up to 512 DMX512 data slots comprises a single universe.

4 Electrical Specifications and Physical Layer

4.1 General

The electrical specifications of this Standard are those of EIA-485-A, except where specifically stated in this document. Where a conflict between EIA-485-A and this document exists, this document is controlling as far as this Standard is concerned.

The physical layer of a DMX512 data link is constrained by earth grounding practices, termination-methods, signal levels, EMC, and accidental damage by connection to other devices.

In addition to complying with the requirements of EIA-485-A, clauses 5 and 6 specify additional requirements not addressed by EIA-485-A.

4.2 Electrical isolation

EIA-485-A makes no general provisions for electrical isolation, however, this Standard does. Suitable optical isolation, transformer isolation, or other means may be employed to prevent the undesirable propagation of voltages that exceed the Common Mode limits of EIA-485-A (see clauses 5 and 6). The inclusion of such isolation does not, however, alter the requirement that a transmitter or receiver conforms to EIA-485-A.

4.3 Topology

A data link shall consist of a single active differential line driver, a terminated transmission line and one or more differential line receivers meeting the requirements of EIA-485-A and all additional requirements of this Standard. A DMX512 controlled device capable of returning status information is referred to as a responder in this standard. For the purposes of this standard, responders are considered to fall under the category of receiving devices. This subject is covered in Annex B.

4.4 DMX512 ports

A DMX512 Port is the signal connection point between the internal electronics of a device and the physical transmission line (cable), referred to as the equipment interconnect points by EIA-485. It may be made either by the prescribed connector as defined in clause 7 or by a terminal strip. A DMX512 port carries four signals and a common reference, designated data 1-, data 1+, data 2-, data 2+, and data link common. (In some situations, data 2- and data 2+ are not connected / provided). Historically, these signals have been referred to as Pins which correlates to the physical pinout used on the XLR style connectors as defined in clause 7 of this Standard. There are other situations where different physical connections may be encountered, such as a terminal strip.

4.5 Data link common and grounding topologies

Various portions of clause 5 and Annex A deal with shield-to-earth ground topologies. In all cases there is a low impedance connection between data link common pin or contact of the DMX512 port and signal common of the EIA-485-A driver or receiver circuitry.

4.6 Preferred method of earth grounding data link common

DMX512 systems should make use of earth ground referenced transmitting devices and isolated receiving devices. This approach provides for a single point solid ground/chassis connection at the source, and allows for variations in building ground potentials between transmitting and receiving devices. This is to ensure that interoperability of equipment is achieved in situations that might otherwise exceed the Common Mode limitations of EIA-485-A. See EIA-485-A clause 4.3.1. Other approaches are covered in Annex A.

4.7 Primary data link

Data 1- and Data 1+ of a DMX512 Port form the primary data link. Format of the data is covered in clause 8. Limited use of multiple data link drivers for half-duplex, bi-directional data transmission on the primary data link is permitted in accordance with Enhanced Functionality as described in Annex B.

4.8 Secondary data link

Implementation of the secondary data link is optional.

4.8.1 Secondary data link - active use

Data 2- and Data 2+ of a DMX512 Port provide a secondary EIA-485-A data link. Implementation of this data link is optional. Several different network topologies are associated with the implementation of the secondary data link. Use of the secondary data link is permitted only in accordance with Enhanced Functionality as described in Annex B.

4.8.2 Secondary data link - passive loop through ports

In order to extend Enhanced Functionality across a network, devices containing two DMX512 ports, one for receive and one for transmit, that do not actively process or buffer data, shall provide a direct passive link for all signals between the two ports. Devices containing three or more DMX512 ports may provide a passive link between only two of the ports. These two ports shall be declared as required in Clause 10 and should be marked on the product. In order to enhance interoperability of DMX512 products, equipment designers are encouraged to provide passive loop through on the secondary data link pins or contacts whenever possible, even if not required per this clause.

4.9 Data link termination procedures

DMX512 data links shall be terminated to eliminate ringing and signal reflection, which can cause mis-operation of an otherwise properly designed system. To comply with this Standard, all equipment connected to a DMX512 data link shall operate in accordance with the stated manufacturer's specification when the data link is terminated. The terminator shall be a 120 ohm +5%/-10% impedance placed between Data+ and Data-. In the preferred topology where the transmitter is connected

to one end of the data link, the far end of the data link shall be terminated. In the case where the transmitter cannot be connected at one end of the data link, then both ends of the data link shall be terminated. Manufacturers of receiving devices may provide internal termination of the data link. Where such termination is provided, it shall comply with the electrical and marking requirements of this Standard. It is recommended that termination components be chosen to withstand continuous voltages of at least 30 VAC 50 Hz/42 VDC.

4.10 Unpowered devices

Unpowered connected DMX512 devices shall not degrade the performance of the DMX512 transmission system nor materially lower the impedance they present to the data link.

5 Nominal Operating Characteristics

5.1 General

Operation limits generally follow the detailed requirements of EIA-485-A. Where appropriate, separate limits are given for isolated products. All electrical characteristics shall be measured at the DMX512 ports of the product.

5.2 Chassis in power isolated equipment

In equipment where connection to protective grounding is not made concurrent with power connection, such as battery powered equipment or equipment powered by isolated low voltage transformers, chassis is deemed to include any exposed metal DMX512 connector parts which do not carry signals.

5.3 Earth grounding of data link common for transmitters

In recognition of the need for DMX512 compliant products to be capable of interconnection as part of large and potentially complex systems, this Standard defines two allowable topologies for the earth grounding of data link common and circuit common for transmitters, to be known as "Ground Referenced" and "Isolated". The preferred method is "Ground Referenced." "Isolated" is covered in Annex A.

5.4 Ground referenced transmitters

Ground referenced transmitting device outputs shall meet the following conditions in table 1 during normal operation under open circuit condition.

Table 1 - Ground Referenced Transmitter Characteristics

Connection	Limit (measured at port pin or contact)	Comment
Data 1+ to Data Link Common or Data 1- to Data Link Common	$0 \leq v \leq +6 \text{ VDC}$	
Data 2+ to Data Link Common or Data 2- to Data Link Common	$0 \leq v \leq +6 \text{ VDC}$	Enhanced Function Devices Only
Data Link Common to Chassis	0V	
Data 1- to Chassis or Data 1+ to Chassis	$0 \leq v \leq +6 \text{ VDC}$	
Data 2- to Chassis or Data 2+ to Chassis	$0 \leq v \leq +6 \text{ VDC}$	Enhanced Function Devices Only
Data 1- to Data1+	+/- 6V (open circuit)	
Data 2- to Data 2+	+/- 6V (open circuit)	

Figure 1 illustrates a ground referenced transmitter port. It is characterized by the direct connection of the shield (Data Link Common) to chassis and protective earth. Therefore, devices employing ground referenced transmitters shall be provided with provision for connection to protective earth. Any resistance (A) between Data Link Common's pin or contact and zero volt supply (circuit common) of the transmitter circuit shall be less than 100 ohms. Any resistance (B) between Data Link Common's pin or contact and chassis shall be less than 20 ohms and is preferably zero ohms.

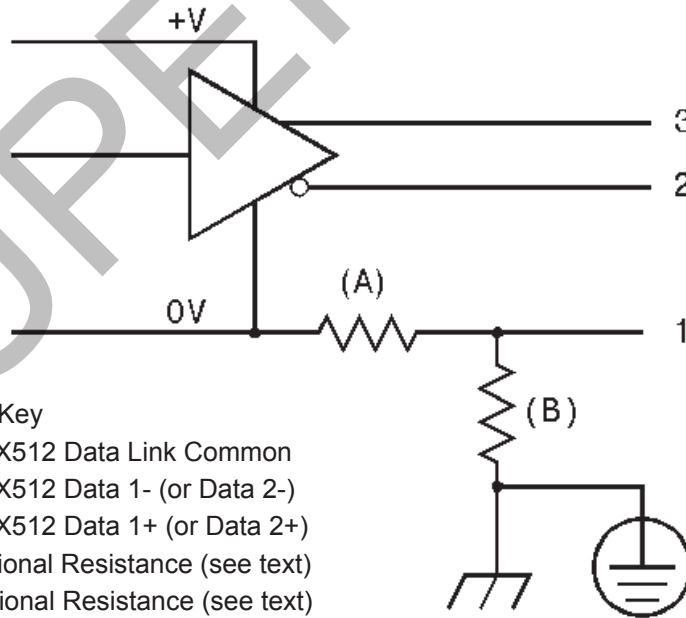


Figure Key
 1 - DMX512 Data Link Common
 2 - DMX512 Data 1- (or Data 2-)
 3 - DMX512 Data 1+ (or Data 2+)
 A - Optional Resistance (see text)
 B - Optional Resistance (see text)

Figure 1 - Ground Referenced Transmitter

A DMX512 device may have any number of Ground Referenced transmitter ports. Ground Referenced transmitter ports may be used by all DMX512 devices including ones that provide any number of non-DMX512 input or output ports. Adherence to this topology allows a DMX512 transmitter connector to be marked as shown in table 9.

Because the transmitter in this topology is grounded, the existence of an isolation barrier between the transmitter and any other part of the device shall NOT qualify output for marking as ISOLATED.

5.5 Disallowed transmitter topology

This configuration is not permitted, although it may exist on some legacy products. While this topology is described as one possible topology in EIA-485-A, it is not appropriate when considering operation of DMX512 transmitting devices in systems encountering differential ground potentials.

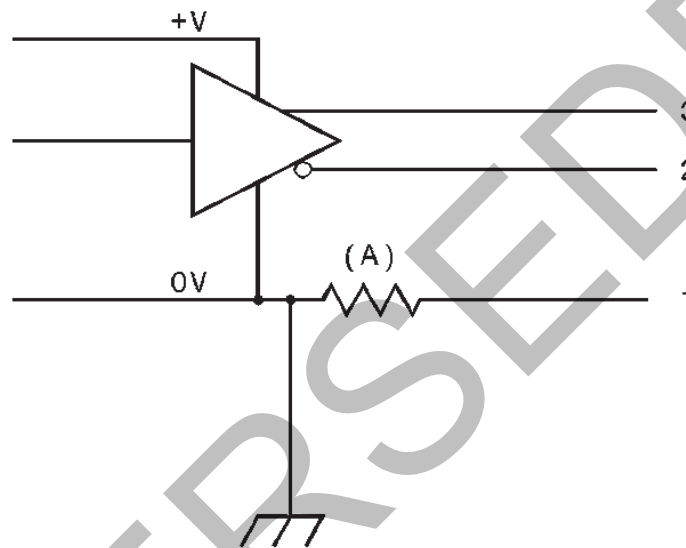


Figure Key

- 1 - DMX512 Data Link Common
- 2 - DMX512 Data 1- (or Data 2-)
- 3 - DMX512 Data 1+ (or Data 2+)
- A - $R > 0.2$ ohm

Figure 2 - Transmitter Topology NOT Allowed

5.6 Earth grounding of data link common for receivers

This Standard defines several allowable topologies for earth grounding of data link common and circuit common for receiving devices. These are to be known as “non-isolated” and “isolated”. The preferred method is “isolated.” A specific concession is available to manufacturers of non-isolated receivers who, for reasons beyond the scope of this Standard, require a direct link between data link common and chassis. Non-isolated and grounded receivers are addressed in Annex A.

5.7 Isolated receiver characteristics

For isolated devices, a capacitor may be fitted between Data Link Common and chassis for the purpose of Radio Frequency bypass. Devices shall continue to operate correctly when exposed to any of the conditions in table 2.

Table 2 - Isolated Receiver Characteristics

Connection	Limit (measured at port pin or contact)	Comment
Data 1+ to Data Link Common or Data 1- to Data Link Common	+12 / -7 VDC	Common Mode Range
Data 2+ to Data Link Common or Data 2- to Data Link Common	+12 / -7 VDC	Enhanced Function Devices Only
Data Link Common to Chassis	$\geq 22\text{M ohm @ } 42\text{ VDC}$	
Data 1- to Chassis or Data 1+ to Chassis	$\geq 22\text{M ohm @ } 42\text{ VDC}$	
Data 2- to Chassis or Data 2+ to Chassis	$\geq 22\text{M ohm @ } 42\text{ VDC}$	Enhanced Function Devices Only
Data 1- to Data1+	+/- 6V	
Data 2- to Data 2+	+/- 6V	Enhanced Function Devices Only
Any Port Pin or Contact to Chassis	30 VAC / 42 VDC	

Figure 3 illustrates an isolated receiver. Any signal pin or contact of the DMX512 isolated receiver shall present a resistance (B) greater than 22 Mohm at 42 VDC with respect to Chassis, with respect to Protective Ground (where fitted), with respect to any other signal inputs or outputs, and with respect to other ground referenced electronics. There may be a capacitance (not shown) between Data Link Common and chassis for Radio Frequency bypass. Any resistance (A) between Data Link Common's pin or contact and zero volt supply (circuit common) supply of the receiver circuit shall be less than 100 ohms.

Figure Key

- 1 - DMX512 Data Link Common
- 2 - DMX512 Data 1- (or Data 2-)
- 3 - DMX512 Data 1+ (or Data 2+)
- 4 - Isolated Supply
- 5 - Isolated 0V Supply
- 6 - V (+ or -)
- 7 - I / O
- 8 - Isolated Electronics
- 9 - Optional Non-Isolated Electronics
- 10 - Isolation Barrier
- A - Optional Resistance (see text)
- B - Optional Resistance (see text)

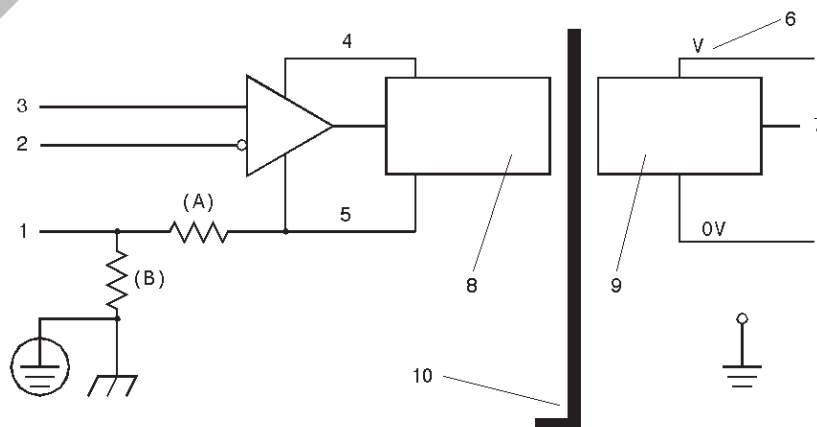


Figure 3 - Isolated Receiver

Adherence to this topology allows a DMX512 receiver port to be marked as ISOLATED. Isolated receiver ports may be used by all DMX512 devices including ones that provide any number of non-DMX512 input or output ports. A DMX512 device may have any number of isolated receiver ports.

5.8 Disallowed receiver topology

This configuration is not permitted, although it may exist on some legacy products. While this topology is described as one possible topology in EIA-485-A, it is not appropriate when considering operation of DMX512 receiving devices in systems encountering differential ground potentials.

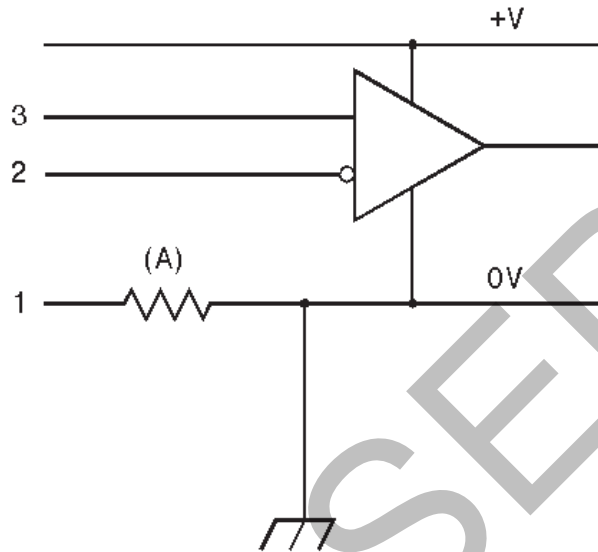


Figure Key
 1 - DMX512 Data Link Common
 2 - DMX512 Data 1- (or Data 2-)
 A - $R \geq 0.2$ ohm

Figure 4 - Receiver Topology NOT Allowed

5.9 DMX512 processing devices

It is permissible to design processing devices based on the Isolated Receiver / Ground Referenced Transmitter or Isolated Receiver / Isolated Transmitter models (see Annex A) already described.

5.10 Loading designation

As per EIA-485-A, the total load permitted on a DMX512 data link is 32 unit loads. Transmitters designed for this Standard shall be capable of driving 32 unit loads on a DMX512 data link. Each receiving port on a DMX512 device shall have a unit load of 1 or less as per EIA-485.

A receiver biased to any voltage from -7 to +12 volts shall not present a capacitive load to the line of more than 125 pF per unit load.

Declaring or marking of the unit load is not required by this standard. If a manufacturer chooses to declare or mark their products with a unit load value, the declared or marked value shall be the greater of either the DC unit load determined by EIA-485-A clause 4.1 or the unit load as determined by the capacitive loading. In either case, if the unit load is declared the capacitive load values shall also be declared.

6 Protection

6.1 Minimum protection against interconnection damage

Clause 4.2 of EIA-485-A recognizes that certain other extraneous conditions may overstress the system and that these conditions should be specified in the referencing standard. Extensive use of temporary and portable equipment in Entertainment Lighting Industry results in frequent connection and disconnection of equipment and gives rise to the possibility of equipment misconnection.

Equipment may be protected against damage resulting from accidental connection to voltages in excess of the minimum defined in EIA-485-A clauses 4.2.5 and 4.2.6, and this is recommended. See Annex C for requirements allowing DMX512 ports to be declared "DMX512-A Protected". This does not negate the need to comply with EIA-485-A clause 4.2.6 - Transient overvoltage tolerance.

6.2 Minimum electro static discharge (ESD) protection

Manufacturers shall ensure that any port pin or contact can withstand a minimum of 4kV ESD for contact discharge and 8kV ESD for air discharge in accordance with IEC 61000-4-2 or other local regulations that may require higher levels of protection. The acceptance criteria for this requirement allows for temporary loss of function, provided the function is self recoverable or can be restored by the operation of controls. Meeting this requirement does not alter the fact that a manufacturer may have to meet other more stringent ESD requirements to conform to local EMC regulations.

7 Connection methods

7.1 Equipment fitted with user accessible pluggable data link connections

This category includes all portable products.

Female connectors shall be used on controllers and other transmitting devices (primary data link) and male connectors shall be used on receiving devices. Female and male connectors consistent with this convention shall also be used where loop-through connections are provided.

7.1.1 Required connector

Equipment in this category shall use 5-pin XLR connectors with the physical pinout of the 5-pin XLR in accordance with table 3.

Table 3 - Signal Designations Summary

Use	5-Pin XLR Pin #	DMX512 Function
Common Reference	1	Data Link Common
Primary Data Link	2	Data 1-
	3	Data 1+
Secondary Data Link (Optional - see clause 4.8)	4	Data 2-
	5	Data 2+

7.1.2 Concession for use of an alternate connector (NCC DMX512-A)

A concession to use an alternate connector is available only when it is physically impossible to mount a 5-pin XLR connector on the product. In such cases all the following additional requirements shall be met :

- 1) The alternate connector shall not be any type of XLR connector.
- 2) The alternate connector shall not be any type of IEC 60603-7 8-position modular connector except as allowed in clause 7.3.
- 3) Provided that all other requirements of this Standard are met, in addition to the declaration in the equipment manual, the alternate connector shall be marked as NCCDMX512-A (Not Connector Compatible). If such a marking is not physically possible at the connector, an appropriate marking shall be made elsewhere on the equipment. The pin numbering on the alternate connector should match numbering for the standard 5-Pin XLR connector.
- 4) The manufacturer shall make available an adapter with the appropriate connections to a standard 5-pin XLR connector for all DMX512 ports included in the alternate connector.
- 5) The Enhanced Functionality, if applicable, and ground/isolation declarations shall continue to be declared for each DMX512 port.

7.2 Equipment intended for fixed installation with internal connections to the data link

Fixed installation products with internal connections to the data link may use the 5-pin XLR connector, but shall not use any other XLR connector. When use is made of the 5-pin XLR connector, the requirements of 7.1 and 7.1.1 shall apply. When a non-XLR connector is used, this Standard makes no other restriction or stipulation on connector choice. The contact (pin) numbering on the alternate connector should match numbering for the standard 5-Pin XLR connector.

Products in this category with Enhanced Functionality shall be marked in accordance with the provisions of clause 10 and Annex B.

7.3 IEC 60603-7 8-position modular connectors

The use of IEC 60603-7 8-position modular connectors (commonly referred to as RJ45 type connectors – plugs/jacks) and associated punchdown terminal blocks shall be limited to connections that are part of a fixed installation and not normally accessible except to qualified, authorized users, nor intended for regular connection and disconnection.

External (user accessible) IEC 60603-7 8-position modular connectors are permitted only on patch and data distribution products and only when permanently installed in controlled access areas.

Note: Examples of not normally accessible or controlled access areas include a locked electrical room or control booth, provided those who need access have a key (or lock combination) available.

Table 4 - Connection Schedule for DMX512 Equipment Using IEC 60603-7 8-Position Modular Connectors

Pin (Wire) #	Wire Color	DMX512 Function
1	white / orange	data 1+
2	orange	data 1-
3	white / green	data 2+ (optional)
6	green	data 2- (optional)
4	blue	Not assigned
5	white / blue	Not assigned
7	white / brown	Data link common (common reference) for data 1 (0 v)
8	brown	Data link common (common reference) for data 2 (0 v)
	drain	

Note 1: Pin numbering and color in accordance with ANSI/TIA/EIA-568 scheme T568B.

Note 2: Pin 8 should be wired as signal common even if pins 3 and 6 are NOT wired so that both conductors 7 and 8 are at equal potential.

Warning: Accidental connection to non-DMX512 equipment likely to be encountered (e.g., an Ethernet Hub at a patch bay) may result in damage to equipment. Pins 4 and 5 may carry voltages outside the EIA-485 range in telecom applications (e.g., telephone ringing). Pins 4 and 7 may carry voltages outside the EIA-485 range in other applications (e.g., some manufacturers whose distributed DMX512 buffering products require low voltage DC power may use these wires for this purpose). Because of these various uses, misplugging unlike systems could cause serious damage.

8 Data protocol

8.1 Format

DMX512 slots shall be transmitted sequentially in asynchronous serial format, beginning with slot 0 and ending with the last implemented slot, up to slot 512 (a maximum total of 513 slots). Prior to the first data slot being transmitted, a Reset Sequence shall be transmitted – a BREAK, followed by a MARK AFTER BREAK, and a START Code. Valid DMX512 data slot values under a NULL START Code shall be 0 to 255 decimal.

8.2 Slot format

The data transmission format for each data value transmitted are as shown in table 5. Note that no parity is transmitted.

Table 5 - Data Slot Format

Bit Position	Description
1	Start Bit, Low or SPACE
2 through 9	Slot Value Data Bits, Least Significant Bit to Most Significant Bit
10, 11	Stop Bits, High or MARK

8.3 Break

The BREAK indicates the start of a new packet.

The BREAK generated by a transmitter is defined as a mark-to-space transition followed by a low of at least the minimum duration shown in table 6 (Timing Diagram, Designation #1) followed by a low to high transition.

Table 7 (Timing Diagram, Designation 1) defines the minimum duration break a receiver is required to recognize as the start of a new packet.

8.4 Mark after break

The MARK separating the BREAK and the START Code (Timing Diagram, Designation #2) is defined as the MARK AFTER BREAK. DMX512 transmitters produce a MARK AFTER BREAK that complies with the minimum and maximum values for designator 2 in table 6. Compliant receivers correctly respond to data streams with a MARK AFTER BREAK at least as long as the minimum shown in table 7.

Note: The 1986 version of this standard specified a 4 microsecond MARK AFTER BREAK. The 1990 version of the standard changed that value to 8 microseconds, but added an option for receivers capable of recognizing the 4 microsecond MARK AFTER BREAK to be identified as having that capability. Some transmitters may still be in use that generate the shorter 4 microsecond MARK AFTER BREAK, and they may not work with equipment built to this standard.

8.5 START code

The START Code is the first slot (slot 0) following a MARK AFTER BREAK. The START Code identifies the function of subsequent data in that packet.

8.5.1 NULL START code

A NULL START Code identifies subsequent data slots as a block of un-typed sequential 8-bit information. Packets identified by a NULL START Code are the default packets sent on DMX512 networks. Earlier versions of this standard assumed that only dimmer class data would be sent using NULL START Code packets. In practice NULL START Code packets have been used by a wide variety of devices; this version recognizes this fact.

Each NULL START Code packet contains no formal data or addressing structure. The device using data from the packet must know the position of that data within the packet.

There is no guarantee that all NULL START Code packets will be delivered to all devices. Data sent using NULL START Codes should be of a type where loss of packet does not greatly affect the operation of the device. Hence data sent should be of the current value of a parameter, not a command to execute a routine. Once a controller is configured for a particular application, all NULL START Code packets should have the same number of slots.

8.5.2 Dimmer class data

Dimmer level data should be sent in NULL START Code packets. Valid dimmer levels shall be 0 to 255 decimal (00 to FF hexadecimal) representing dimmer control input. Value 0 shall represent a dimmer output of OFF or minimum and 255 shall represent an output of FULL. A dimmer shall respond to increasing the DMX512 slot value for 0 to 255 by fading from its minimum level (off) to its maximum level (full). The exact relationship between DMX512 slot values and dimmer output is beyond the scope of this Standard.

Note that NULL START Code packets are the default packets sent over DMX512 networks and may contain data other than dimmer class data.

8.5.3 Other START codes

In order to provide for future expansion and flexibility, DMX512 makes provision for 255 additional non NULL START Codes (1 through 255 decimal, 01 through FF hexadecimal), henceforth referred to as Alternate START Codes. Where it is required to send proprietary information over a DMX512 data link, a packet starting with a registered Alternate START Code shall be used.

Several Alternate START Codes are reserved. See Annex D.

See Annex E for Alternate START Code Registration Policies.

8.5.3.1 Alternate START code refresh interval

A DMX512 transmitter interleaving NULL START Code packets with Alternate START Code packets shall send a NULL START Code packet at least once per second.

8.5.3.2 Timing differences for Alternate START code packets

To ensure that in-line processing devices do not lose essential Alternate START Code data, a reduction of the maximum Alternate START Code update rate is necessary. One of the following methods shall be used:

- 1) Alternate START Code packets may be transmitted slower than the minimum timings specified in clause 8.11 by increasing the break to break time to 10% more than the minimum required for the Alternate START Code packets number of slots.
- 2) Transmitters may interlace non essential NULL START Code packets with Alternate START Code packets.

8.5.3.3 Handling of Alternate START code packets by in-line devices

DMX512 processing devices or any device that receives and re-transmits DMX512 shall state in the manual for the product how they process Alternate START Code packets. The acceptable processing methods are:

- 1) Block all packets containing particular Alternate START Codes. The START Codes blocked shall be declared (and may be all Alternate START Codes).
- 2) Pass unmodified all packets containing particular Alternate START Codes. The START Codes passed shall be declared.
- 3) Process the information contained in packets containing particular Alternate START Codes. The algorithm shall be declared in enough detail to allow the user to decide if the device will satisfy their needs.

DMX512 in-line repeating transmitters shall not pass some packets with a particular Alternate START Code while blocking other packets containing the same Alternate START Code unless doing so as part of a stated processing algorithm.

8.5.4 START code processing

All receiving devices other than in-line processing devices shall process the START Code and differentiate between those packets with NULL START Codes and those with Alternate START Codes. Devices shall not ignore START Codes by assuming that all packets received are NULL START Code packets.

8.6 Maximum number of data slots

Each data link shall support up to 512 data slots. Multiple links shall be used where larger numbers of slots are required.

8.7 Minimum number of data slots

There shall be no minimum number of data slots on the data link. DMX512 data packets with fewer than 512 slots may be transmitted, subject to the minimum timing requirements of this standard – see clause 8.10 and figure 5.

8.8 Defined line state between slots

The time between any two slots of a data packet (Timing Diagram, Designation #9) may vary between minimum and maximum values shown for designator #9 of table 6. The line shall remain in a marking state during any such idle period.

8.9 Defined line state between data packets (Mark Before Break)

Every data packet transmitted on the data link, regardless of START Code or length, begins with a BREAK, MARK AFTER BREAK, and START Code sequence known as a Reset Sequence (Timing Diagram - Figure 4, Item 12). The time between the second stop bit of the last data slot of one data packet and the falling edge of the beginning of the BREAK for the next data packet (Timing Diagram, Designation #10) may vary between minimum and maximum values shown for designator #10 of table 6. The line shall remain in a marking state throughout any such period. Transmitters, therefore, shall not produce multiple BREAKs between data packets. Receivers, however, shall be capable of recovering from multiple BREAKs produced by data link line errors.

8.10 Break-to-Break spacing

Transmitters produce packets so that the period between the falling edge at the start of any one BREAK and the falling edge at the start of the next BREAK are not be less than the minimum value in table 6 designator #13. This period is also not more than the maximum value in table 6 designator #13.

Receivers operate correctly when receiving packets with break to break spacing of at least the minimum value in table 7 designator #13 up to the maximum value in table 7 designator #13.

8.11 Timing diagram - data+

Timings shall follow the requirements of the timing diagram (figure 5) and its associated tables 6 and 7.

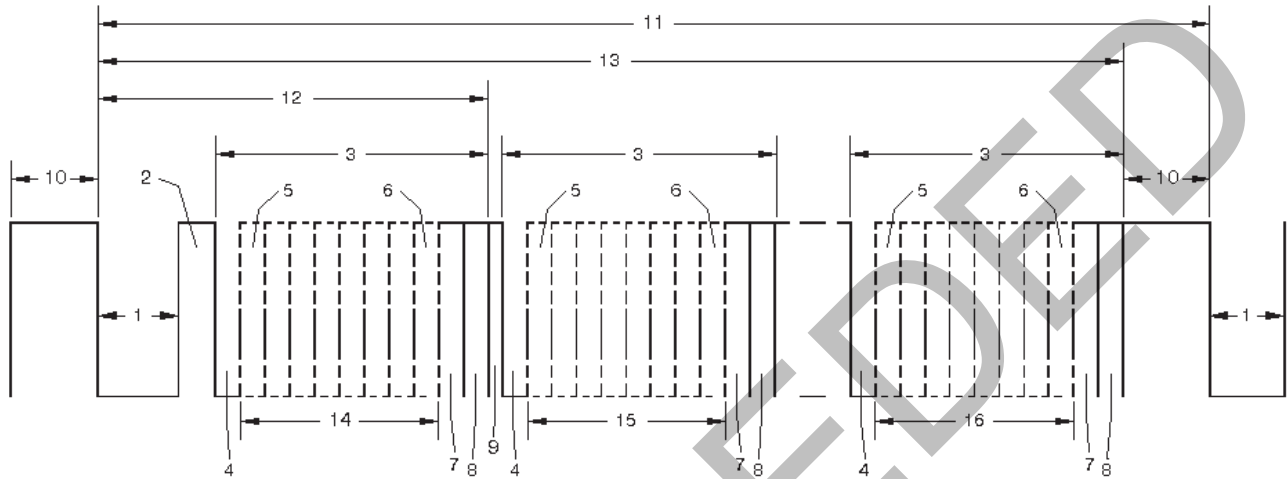


Figure Key

- 1 - "SPACE" for BREAK
- 2 - "MARK" After BREAK (MBA)
- 3 - Slot Time
- 4 - START Time
- 5 - LEAST SIGNIFICANT Data Bit
- 6 - MOST SIGNIFICANT Data Bit
- 7 - STOP Bit
- 8 - STOP Bit
- 9 - "MARK" Time Between Slots
- 10 - "MARK" Before BREAK (MBB)
- 11 - BREAK to BREAK Time
- 12 - RESET Sequence (BREAK, MAB, START Code)
- 13 - DMX512 Packet
- 14 - START CCODE (Slot 0 Data)
- 15 - SLOT 1 DATA
- 16 - SLOT nnn DATA (Maximum 512)

Figure 5 - Timing Diagram

Table 6 - Timing Diagram Values - Output of Transmitting UART

Designation	Description	Min	Typical	Max	Unit
-	Bit Rate	245	250	255	kbit / s
-	Bit Time	3.92	4	4.08	µs
-	Minimum Update Time for 513 Slots	-	22.7	-	ms
-	Maximum Refresh Rate for 513 Slots	-	44	-	updates / s
1	“SPACE” for BREAK	92	176	-	µs
2	“MARK” After BREAK (MB)	12	-	<1.00	µs s
9	“MARK” Time Between Slots	0	-	<1.00	s
10	“MARK” Before BREAK (MBB)	0	-	<1.00	s
11	BREAK to BREAK Time	1204	-	- 1.00	µs s
13	DMX512 Packet	1204	-	- 1.00	µs s

Table 7 - Timing Diagram Values for Receivers

Designation	Description	Min	Typical	Max	Unit
-	Bit Rate	245	250	255	kbit / s
-	Bit Time	3.92	4	4.08	µs
-	Minimum Update Time for 513 Slots	-	22.7	-	ms
-	Maximum Refresh Rate for 513 Slots	-	44	-	updates / s
1	“SPACE” for BREAK	88	176	-	µs
2	“MARK” After BREAK (MB)	8	-	<1.00	µs s
9	“MARK” Time Between Slots	0	-	<1.00	s
10	“MARK” Before BREAK (MBB)	0	-	<1.00	s
11	BREAK to BREAK Time	1196	-	- 1.25	µs s
13	DMX512 Packet	1196	-	- 1.25	µs s

9 Receiver performance

9.1 Rejection of improperly framed slots

A receiver shall check the first stop bit and should check the second stop bit of all received slots to determine if they have the correct value. If a missing stop bit is detected, the receiver shall discard the improperly framed slot data and all following slots in the packet.

9.2 Loss of data tolerance / Resumption of acceptance of data

A receiver not receiving a Reset Sequence (a sequence of a Break, Mark After Break, and START Code) within one maximum break to break time (as per table 7) of the previous Reset Sequence is considered to have lost data input.

Although this Standard does not specify loss of data handling procedures, manufacturers shall state what their Loss of Data handling procedures are.

Note: In the absence of overriding safety issues or an alternative source of control data, when encountering a loss of data condition, a receiving device should remain in an operating condition for at least 60 seconds, awaiting resumption of the DMX512 signal.

9.3 Receiver performance at maximum refresh rate

Any device incorporating a DMX512 receiver shall operate correctly when receiving continuous transmission of valid data packets containing any number of valid slot values.

9.4 Packet processing latency

Some products may provide their specified functionality without processing or being able to process every consecutive DMX512 packet. Such products will have an inherent latency to data changes between packets, which shall be declared by the manufacturer in accordance with the disclosure requirements of clause 10.

10 Marking and disclosures

In this standard, marking is defined as the application of a physical mark/label, etc. on the product, and declaration means declared in a manual and optionally marked on the product.

10.1 Identification

Only equipment conforming to this Standard may be marked and identified with “USITT DMX512-A” or “DMX512-A”.

10.2 DMX512 port marking

Where required by clauses by this standard, all DMX512 ports shall be marked as to the applicable Enhanced Functionality as defined in table B1 (Annex B). All information provided by marking shall also be provided in the equipment manual.

Manufacturers shall use the signal designations from table 3 in any pinout detail declaration or marking of pin, contact or terminal functions appearing on or within a product and associated with installation or connection. Where it is necessary to use abbreviations, only those detailed in table 8 shall be permitted.

Table 8 - Signal Designations Abbreviations Allowed for Marking

Function	Preferred Abbreviation	Non Preferred Abbreviation
Common Reference	COM	C
Primary Data Link - Data 1-	D1-	1-
Primary Data Link - Data 1+	D1+	1+
Secondary Data Link - Data 2-	D2-	2-
Secondary Data Link - Data 2+	D2+	2+




10.3 Data line termination marking

Products that have switchable (in/out) termination circuits shall provide indication of the termination state.

10.4 Ground / Isolation marking

All DMX512 ports shall indicate the relationship between Data Link Common and earth ground. The allowed grounding topologies are shown in table 9.

Table 9 - Ground / Isolation Marking

Function of DMX512 Port	Defining Clause / Figure	Comment	Approved Marking
Transmitter	Clause 5.4 / fig 1	Ground Referenced	no mark required, recommended mark 
Transmitter	Clause A1 / fig A1	Isolated (See Annex A)	ISO or Isolated
Transmitter	Clause A4 / fig A4	Floating (See Annex A)	FLT or Float or Floating
Receiver	Clause A2 / Fig A2	Non-Isolated, 100 ohm 2 Watt Resistor	NON-ISO or Non-Isolated
Receiver	Clause A3 / fig A3	Grounded - concession per clause A3	 
Receiver	Clause 5.7 / fig 3	Isolated	no mark required; ISO or Isolated
Receiver	Clause A4 / fig A4	Floating	FLT or FLOAT or FLOATING

Note: Although no mark is required of Ground Referenced transmitters or Isolated receivers, it is highly recommended that such markings appear on the product.

10.5 Required disclosures and markings

10.5.1 Portable products and products fitted with external pluggable data link connectors

DMX512 ports on these products shall be marked in accordance with clause 10.2. DMX512 ports on these products shall provide Ground/Isolation marking in accordance with clause 10.4.

If use has been made of any non-XLR connector in conjunction with the supply of an adapter as permitted by clause 7.1.2, the non-XLR connector shall be declared in the equipment manual as NCC DMX512-A and also be marked (when feasible) in accordance with that clause.

10.5.2 Equipment intended for fixed installation with internal connections to the data link

Equipment intended for fixed installation with internal connections to the data link DMX512 ports on these products shall be marked in accordance with clause 10.2. DMX512 ports on these products shall provide Ground/Isolation marking in accordance with clause 10.4.

Clearly identified terminal contact (connector pinout) detail shall be marked on or within any product in accordance with clause 10.2.

10.5.3 Loss of data handling procedure

This Standard does not define loss of data handling procedures (clause 9) beyond requiring that manufacturers declare their own products' procedure(s). Such declarations shall be made in the equipment manual.

10.5.4 Packet processing latency

Manufacturers of in-line DMX512 processing, or distribution devices, shall declare any inherent latency in the processing of data packets, including a statement of the worst case delay between receiving a packet and that packet affecting the product's output. A statement of the worst case percentage number of zero start code packets that are discarded by the product shall also be included.

10.5.5 NULL START code functionality

Manufacturers of transmitting devices shall declare in the equipment manual the full range of slot values transmitted in conjunction with packets sent using the NULL START Code.

Manufacturers of receiving devices shall declare the response to packets received containing the NULL START Code, with particular reference to any functionality requiring limited or restricted slot data values.

10.5.6 Slot footprint

Manufacturers of receiving devices shall declare the slot footprint in the equipment manual.

11 Protocol Implementation Conformance Statement (PICS) - Informative

11.1 Introduction

The supplier of a protocol implementation that is claimed to conform to this Standard shall complete the following Protocol Implementation Conformance Statement (PICS).

11.2 Implementation identification

11.2.1 Identification

Manufacturer	
Contact information for inquiries about the PICS (Note 1)	
Implementation Name(s) and Version(s) (Notes 1,2)	
Other information necessary for full identification - e.g., name(s) and version(s) for equipment and/or operating systems; Systems Name(s) (Note 3)	
Manufacturer ID (if registered)	

Note 1: Required for all implementations.

Note 2: The terms Name and Version should be interpreted appropriately to correspond with a supplier's terminology (e.g., Type, Series, Model).

Note 3: May be completed as appropriate in meeting the requirements for the identification.

11.2.2 Protocol summary

Identification of the Protocol	ANSI E1.11 - USITT DMX512-A
Have any exceptions been required? (Yes means that the implementation does not comply with the standard)	No [] Yes []
Date of Statement	

11.2.3 Major classifications

Item	Feature	Clause	Comment	Supported
GT	Transmitter - Grounded	4.6	Preferred Method; If No, compliance with Annex A required	No [] Yes [] N/A []
IR	Receiver - Isolated	4.6	Preferred Method; If No, compliance with Annex A required	No [] Yes [] N/A []
CHAS	Power Isolated	5.2		No [] Yes [] N/A []
EF	Enhanced Functionality (Secondary Data Link)	4.8.1	Active Method; If Yes, compliance with Annex B required	No [] Yes [] N/A []
PD	Processing Device			No [] Yes [] N/A []
HPL	Higher Protection Levels		If Yes, compliance with Annex C required	No [] Yes [] N/A []
XLR5	Pluggable Connection - 5-Pin XLR	7.1	If No, compliance with 7.1.2 Required	No [] Yes [] N/A []
NCC	Connection NCC	7.1.2		No [] Yes [] N/A []
HW	Connection - Hard Wire	7.2		No [] Yes [] N/A []
ASC	Generates Alternate START Code(s)		If Yes, compliance with Annexes D & E also required	No [] Yes [] N/A []

11.3 PICS tables for USITT DMX512-A

Item	Feature	Clause	Value / Comment	Mandatory / Optional	Supported
PL1	Comply with EIA-485-A	4.1	Compliant	M	No [] Yes []
PL2	Transmitter - line driver	4.3	Use a single active differential driver	M	No [] Yes [] N/A []
PL3	Receiver - line receivers	4.3	Use differential receiver	M	No [] Yes [] N/A []
PL4	Secondary data link	4.8.2	Passive use with input & output ports	M	No [] Yes [] N/A []
PL5	Secondary data link - containing three or more DMX512 ports	4.8.2	May provide a passive link between only two of the ports	M	No [] Yes [] N/A []
PL6	Secondary data link ports	4.8.2	Declared per clause 10	M	No [] Yes [] N/A []
PL7	Secondary data link ports	4.8.2	Marked on product	M	No [] Yes [] N/A []
PL8	Data link termination	4.9	Data link termination	M	No [] Yes [] N/A []
PL9	Data link termination	4.9	Operate in accordance with the stated manufacturer's specification when the data link is terminated	M	No [] Yes [] N/A []
PL10	Data link termination	4.9	120 Ohms + 5% / -10% between data- & data+	M	No [] Yes [] N/A []
PL11	Data link termination - transmitter on one end	4.9	Far end terminated	M	No [] Yes [] N/A []
PL12	Data link termination - transmitter not connected at one end	4.9	Both ends terminated	M	No [] Yes [] N/A []
PL13	Internal data link termination	4.9		M	No [] Yes []
PL14	Internal data link termination - Marking	4.9	If implemented, marking per clause 10	M	No [] Yes [] N/A []
PL15	Unpowered devices	4.10	No degradation of DMX512 transmission system performance	M	No [] Yes []
PL16	Unpowered devices	4.10	Not materially lower the impedance they present to the data link	M	No [] Yes []
OC	Operating characteristics	5.1	Measured at the ports	M	No [] Yes [] N/A []

Item	Feature	Clause	Value / Comment	Mandatory / Optional	Supported
GT1	Grounded transmitter	5.4	Provision for connection to protective earth	M	No <input type="checkbox"/> Yes <input type="checkbox"/> N/A <input type="checkbox"/>
GT2	Grounded transmitter	5.4 / Figure 1	Any resistance (A) between data link common and zero volt supply (circuit common) of the transmitter circuit is less than 100 ohms	M	No <input type="checkbox"/> Yes <input type="checkbox"/> N/A <input type="checkbox"/> Value if Yes: _____
GT3	Grounded transmitter	5.4 / Figure 1	Any resistance (B) between data link common and chassis is less than 20 ohms and is preferably zero ohms.	M	No <input type="checkbox"/> Yes <input type="checkbox"/> N/A <input type="checkbox"/> Value if Yes: _____
GT4	Grounded transmitter	5.4	Transmitter not marked ISOLATED even though electrical Isolation may be used in the transmitter	M	No <input type="checkbox"/> Yes <input type="checkbox"/> N/A <input type="checkbox"/>
DTT	Disallowed transmitter topology	5.5	Transmitter Not per figure 2	M	No <input type="checkbox"/> Yes <input type="checkbox"/> N/A <input type="checkbox"/>
IR1	Isolated receiver	5.7	Any resistance (B) greater than 22 Mohm at 42 VDC with respect to chassis and any other signal inputs or outputs, and with respect to other ground referenced electronics	M	No <input type="checkbox"/> Yes <input type="checkbox"/> N/A <input type="checkbox"/> Value if Yes: _____
IR2	Isolated receiver	5.7	Any resistance (B) greater than 22 Mohm at 42 VDC with respect to protective ground (where fitted)	M	No <input type="checkbox"/> Yes <input type="checkbox"/> N/A <input type="checkbox"/> Value if Yes: _____
IR3	Isolated receiver	5.7 / Figure 3	Any resistance (A) between data link common and zero volt supply (circuit common) of the receiver circuit is less than 100 ohms	M	No <input type="checkbox"/> Yes <input type="checkbox"/> N/A <input type="checkbox"/> Value if Yes: _____
DRT	Disallowed receiver topology	5.8	Transmitter not per figure 4	M	No <input type="checkbox"/> Yes <input type="checkbox"/> N/A <input type="checkbox"/>
LDT	Transmission line loading	5.10	Transmitter capable of driving 32 unit loads	M	No <input type="checkbox"/> Yes <input type="checkbox"/> N/A <input type="checkbox"/>
LDR1	Transmission line loading	5.10	Receiver presents unit load ≤ 1	M	No <input type="checkbox"/> Yes <input type="checkbox"/> N/A <input type="checkbox"/>

Item	Feature	Clause	Value / Comment	Mandatory / Optional	Supported
LDR2	Transmission line loading	5.10	A receiver biased to any voltage from -7 to +12 volts does not present a capacitive load to the line of more than 125pf per unit load	M	No [] Yes [] N/A []
LDM	Unit load marking	5.10	Optional declared or marked value is the greater of either the DC unit load determined by EIA-485-A clause 4.1 or the unit load as determined by the capacitive loading	M	No [] Yes [] N/A [] Value if Yes: _____
LDMC	Capacitive unit load marking	5.10	Optional declared or marked value - capacitive is also declared	M	No [] Yes [] N/A [] Value if Yes: _____
ESD	Electro static discharge protection	6.2	Withstand 4 kV ESD for contact discharge and 8 kV ESD for air discharge in accordance with IEC 61000-4-2 or other local regulations	M	No [] Yes []
CM1	Connection method - plug-gable controller	7.1	Female	M	No [] Yes [] N/A []
CM2	Connection method - plug-gable receiver	7.1	Male	M	No [] Yes [] N/A []
CM3	Connection method - loop through	7.1	Male Input / Female Output convention	M	No [] Yes [] N/A []
NCC0	Not connector compatible allowed	7.1.2	XLR-5 not physically possible	M	No [] Yes [] N/A [] Connector type used if Yes: _____
NCC1	Not connector compatible provisions	7.1.2-1	The alternate connector is not any type of XLR connector	M	No [] Yes [] N/A []
NCC2	Not connector compatible provisions	7.1.2-2	The alternate connector is not any type of IEC 60603-7 8-position modular connector (RJ45) - if No, compliance with 7.3 required	M	No [] Yes [] N/A []

Item	Feature	Clause	Value / Comment	Mandatory / Optional	Supported
NCC3	Not connector compatible provisions	7.1.2-3	Declared and marked NCC	M	No [] Yes [] N/A []
NCC4	Not connector compatible provisions	7.1.2-4	Adapter to XLR-5 provided	M	No [] Yes [] N/A []
NCC5	Not connector compatible provisions	7.1.2-5	EF and ground / isolation declaration made	M	No [] Yes [] N/A []
FIC1	Fixed installation connections with XLR	7.2	Not other than XLR-5	M	No [] Yes [] N/A []
FIC2	Fixed installation connections with XLR-5	7.2	If XLR-5, comply with 7.1, 7.1.1, and 7.1.2	M	No [] Yes [] N/A []
FIC3	Fixed installation connections	7.2	EF Markings per clause 10 and Annex B	M	No [] Yes [] N/A []
RJ45U	IEC 60603-7 8-position modular connectors - use	7.3	Use limited to connections part of a fixed installation not intended for regular connection and disconnection	M	No [] Yes [] N/A []
RJ45A	IEC 60603-7 8-position modular connectors - access	7.3	Not normally accessible except to qualified, authorized users, nor intended for regular connection and disconnection	M	No [] Yes [] N/A []
RJ45C	IEC 60603-7 8-position modular connectors wiring	7.3 / Table 4	Connections per Table 4	M	No [] Yes [] N/A []
DF1	Data format	8.1	Asynchronous and Sequential (Slot 0 - Last Slot - Max 513 Total)	M	No [] Yes []
DF2	Data format	8.1	Reset Sequence Transmitted	M	No [] Yes []
DF3	Data format	8.1	Valid slot value 0 to 255 decimal	M	No [] Yes []
DCD1	Dimmer class data	8.5.2	Valid dimmer levels are 0 to 255 decimal (00h to FFh)	M	No [] Yes [] N/A []
DCD2	Dimmer class data	8.5.2	Value 0 = dimmer output of OFF or minimum; Value 255 = output of FULL	M	No [] Yes [] N/A []

Item	Feature	Clause	Value / Comment	Mandatory / Optional	Supported
DCD3	Dimmer class data	8.5.2	Dimmer responds to increasing the DMX512 slot value from 0 to 255 by fading from its minimum level (off) to its maximum level (full)	M	No [] Yes [] N/A []
ASC1	Alternate START codes	8.5.3	Registered ASC Used for Proprietary Information	M	No [] Yes [] N/A []
ASC2	Alternate START codes interleaved with NULL START codes-refresh	8.5.3.1	NULL START Code packet sent at least once per second	M	No [] Yes [] N/A []
ASC3	Alternate START codes - timing differences	8.5.3.2	Use one of two methods	M	No [] Yes [] N/A [] Method if Yes: _____
ASC4	Alternate START codes - inline processing	8.5.3.3	Declare how ASCs are processed	M	No [] Yes [] N/A [] Method if Yes: _____
ASC5	Alternate START codes - inline processing	8.5.3.3	Not pass some ASC packets and block others packets containing the same Alternate START code unless doing so as part of a stated processing algorithm	M	No [] Yes [] N/A [] Method if Yes: _____
ASC6	Alternate START codes	8.5.3.3	DMX512 in-line repeating transmitters do not pass some packets with a particular Alternate START code while blocking other packets containing the same Alternate START code unless doing so as part of a stated processing algorithm	M	No [] Yes [] N/A [] Method if Yes: _____
SCP	Processing of START codes	8.5.4	Receivers other than in-line processing devices process the START code and differentiate between NSC and ASC packets	M	No [] Yes []
SCI	Ignoring of START codes	8.5.4	Not ignore START codes by assuming that all packets received are NSC packets	M	No [] Yes []

Item	Feature	Clause	Value / Comment	Mandatory / Optional	Supported
DLS1	Data link slots support	8.6	Data link supports up to 513 slots	M	No [] Yes []
DLS2	Multiple data links	8.6	Multiple links where more than 513 slots (512 data slots) are required	M	No [] Yes []
DLS3	Data link slots minimum	8.7	Data Link with less than 513 slots supported	M	No [] Yes []
LSBS1	Line state between data slots - value	8.8	Maintain Marking State	M	No [] Yes []
LSBP2	Line state between packets	8.9	The line remains in a marking state throughout during MBB	M	No [] Yes []
LSBP3	Line state between packets	8.9	Transmitter does not produce multiple BREAKs between data packets	M	No [] Yes []
LSBP4	Multiple BREAKs	8.9	Receiver capable of recovering from multiple BREAKs (data line errors)	M	No [] Yes []
TD	Timing Diagram	8.11 / Figure 5	DMX512 frames & packets format	M	No [] Yes []
TT	Transmitter timing	8.11 / Table 6		M	No [] Yes []
RT	Receiver timing	8.11 / Table 7		M	No [] Yes []
IFS1	Improperly framed slots	9.1	Check first stop bit	M	No [] Yes []
IFS2	Improperly framed slots	9.1	Discard data slot with missing stop bit and all subsequent data slots in packet	M	No [] Yes []
LDH	Loss of data handling	9.2 / 10.5.3	Declare loss of data handling procedure	M	No [] Yes []
RPM	Receiver performance at maximum data refresh	9.3	Receiver operates correctly while receiving any valid data packet	M	No [] Yes []
PPL	Packet processing latency	9.4 / 10.5.4	Processing latency declared	M	No [] Yes []
EFP1	EF port marking	10.2 / 10.5.1 / 10.5.2	Enhanced functionality ports marked	M	No [] Yes [] N/A []

Item	Feature	Clause	Value / Comment	Mandatory / Optional	Supported
EFP2	EF port marking declaration	10.2 / 10.5.1 / 10.5.2	Enhanced functionality ports declared	M	No [] Yes [] N/A []
PM1	Port marking - signal designation	10.2 / Table 8 / 10.5.2	Signal identification	M	No [] Yes [] N/A []
PM2	Port marking - signal designation abbreviations	10.2 / Table 8 / 10.5.2	Signal identification abbreviations	M	No [] Yes [] N/A []
DLTM	Data link termination marking	10.3	Switchable termination marked	M	No [] Yes [] N/A []
GIM	Ground / Isolation marking	10.4 / Table 9 / 10.5.1 / 10.5.2	Grounded or isolated port marked per Table 9	M	No [] Yes [] N/A []
NSC1	NULL START code functionality	10.5.5	Transmitters declare full range of slot values	M	No [] Yes [] N/A []
NSC2	NULL START code functionality	10.5.5	Receivers declare response to NSC slot values	M	No [] Yes [] N/A []
SFD	Slot footprint declaration	10.5.6	Receivers declare slot footprint	M	No [] Yes [] N/A []

Annex A - Non Preferred (Alternate) topologies (Normative)

A1 Isolated transmitters

This standard permits the use of isolated transmitter ports. They are used in legacy systems where grounded receivers are used and large Common Mode voltages are expected.

Figure A1 illustrates an isolated transmitter port. To be considered an isolated transmitter, any signal pin or contact of the DMX512 output shall present a resistance (B) greater than 22 Mohm at 42 VDC with respect to Chassis, and with respect to Protective Ground (where fitted). If there are any other signal inputs or outputs, any signal pin or contact of the DMX512 output shall present a resistance greater than 22 Mohm at 42 VDC with respect to these inputs or outputs. The power supply for the transmitter and any directly connected electronics shall be isolated from earth ground and any other grounded referenced electronics to levels at least as high as those required of the output. Any resistance (A) between Data Link Common's pin or contact and zero volt supply (circuit common) of the transmitter circuit shall be less than 100 ohms. There may be a capacitance (not shown) between Data Link Common and chassis for the purpose of Radio Frequency bypass.

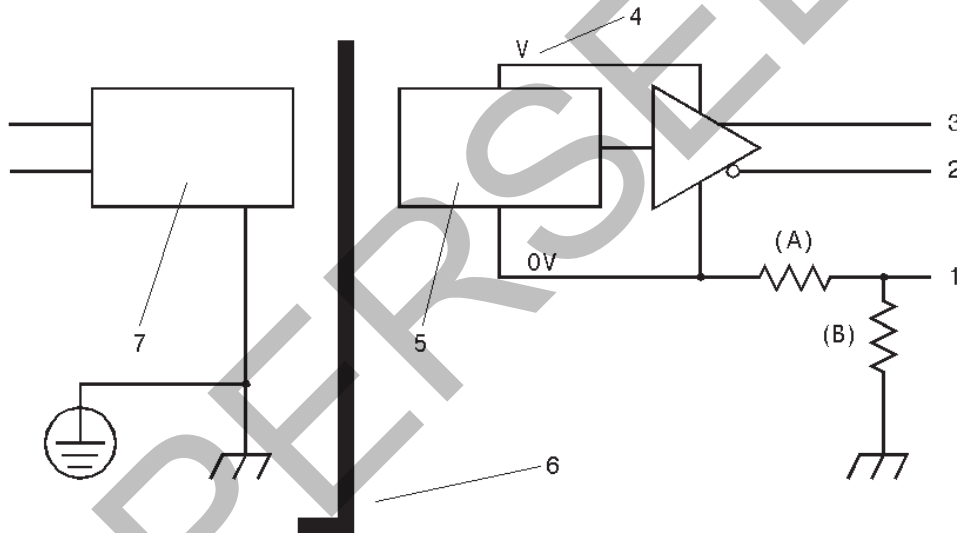


Figure Key

- 1 - DMX512 Data Link Common
- 2 - DMX512 Data 1- (or Data 2-)
- 3 - DMX512 Data 1+ (or Data 2+)
- 4 - V (+ or -)
- 5 - Other Isolated Electronics
- 6 - Isolation Barrier
- 7 - Non-Isolated Electronics (optional)
- A - Optional Resistance (see text)
- B - Resistance (see text)

Figure A1 - Isolated Transmitter

Table A1 - Isolated Transmitter Characteristics

Connection	Limit (measured at port pin or contact)	Comment
Data 1- to Data Link Common or Data 1+ to Data Link Common	+/- 6 V	Common Mode
Data 2- to Data Link Common or Data 2+ to Data Link Common	+/- 6 V	Enhanced Function Devices Only
Data Link Common to Chassis	$\geq 22\text{M ohm @ } 42\text{ VDC}$	
Data 1- to Chassis or Data 1+ to Chassis	$\geq 22\text{M ohm @ } 42\text{ VDC}$	
Data 2- to Chassis or Data 2+ to Chassis	$\geq 22\text{M ohm @ } 42\text{ VDC}$	Enhanced Function Devices Only
Data 1- to Data 1+	+/- 6 V	
Data 2- to Data 2+	+/- 6 V	Enhanced Function Devices Only
Any Port Pin or Contact to Chassis	30 VAC / 42 VDC	

A DMX512 device may have any number of isolated transmitter ports.

Adherence to this topology allows a DMX512 transmitter connector to be marked ISO or

A2 Non-isolated receivers

While not the preferred topology, this non-isolated topology exhibits considerable improvement in common mode fault tolerance compared to other grounded or non-isolated topologies. In this topology there shall be a resistance (B) of 100 ohms between Data Link Common's pin or contact and chassis. This resistance shall be able to safely dissipate two watts. No other connection between data link common and chassis is permitted. Common Mode voltage present between the chassis of this device and the chassis of any other device connected to the DMX512 shield will cause a current flow. This current will cause a voltage drop in the resistance (B). This voltage drop effectively decreases the Common Mode voltage at this receiver. Any resistance (A) between Data Link Common's pin or contact and zero volt supply (circuit common) of the receiver circuit shall be less than 100 ohms.

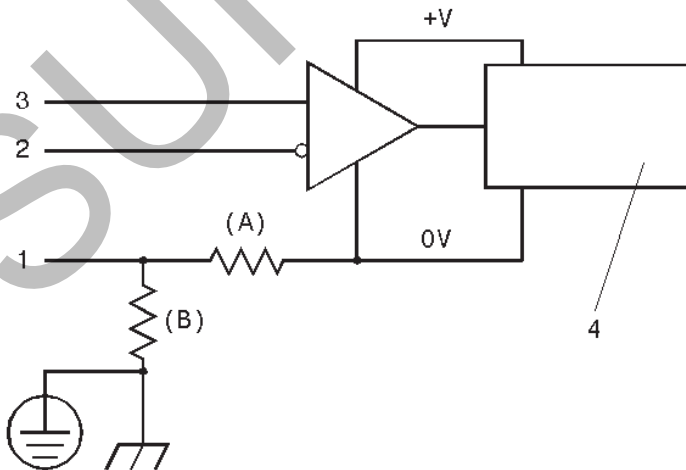


Figure Key

- 1 - DMX512 Data Link Common
- 2 - DMX512 Data 1- (or Data 2-)
- 3 - DMX512 Data 1+ (or Data 2+)
- 4 - Other Electronics
- A - Optional Resistance (see text)
- B - Optional Resistance (see text)

Figure A2 - Non-Isolated Receiver

Since 0 V is not directly referenced to Chassis, local product safety standards may restrict choice of power supply (e.g., use of a Class 2 supply).

A DMX512 receiver may have any number of non-isolated receiver ports. Where multiple ports are implemented, the total parallel resistance (B) shall be 100 ohms.

Table A2 - Non-Isolated Receiver Characteristics

Connection	Limit (measured at port pin or contact)	Comment
Data 1- to Data Link Common or Data 1+ to Data Link Common	+12 /- 7 VDC	Common Mode
Data 2- to Data Link Common or Data 2+ to Data Link Common	+12 /- 7 VDC	Enhanced Function Devices Only
Data Link Common to Chassis	100 ohms	-Note 1-
Data 1- to Chassis or Data 1+ to Chassis	+12 /- 7 VDC	
Data 2- to Chassis or Data 2+ to Chassis	+12 /- 7 VDC	Enhanced Function Devices Only
Data 1- to Data 1+	+/- 6 V	
Data 2- to Data 2+	+/- 6 V	Enhanced Function Devices Only
Any Port Pin or Contact to Chassis	N/A	

Note 1: This cannot be characterized in terms of voltage.

Manufacturers shall be permitted to fit a resistance of 100 ohms +/-20% between Chassis and Data Link Common for the purpose of limiting current in the shield due to small differential ground potentials. This method provides for reduction of Common Mode voltage at the line receiver.

The only output that shall be permitted to be directly connected to this topology is a single passive DMX512 loop through port. No other inputs or outputs are allowed with this topology unless they meet the requirements of clause A4.

A3 Grounded receivers

The topology of figure A3 is allowed for the construction of entry level receivers where the cost of isolation might prove an untenable burden. It may be used by manufacturers of receivers who, for reasons beyond the scope of this Standard, require a direct link between data link common and protective earth. It is not a recommended practice and requires special marking on the product and special explanatory text in all manuals.

This topology is characterized by the direct connection of the shield (Data Link Common) to chassis and protective earth. Therefore, devices employing ground referenced receivers shall be provided with a connection to protective earth. Any resistance (A) between Data Link Common's pin or contact and zero volt supply (circuit common) of the transmitter circuit shall be less than 100 ohms.

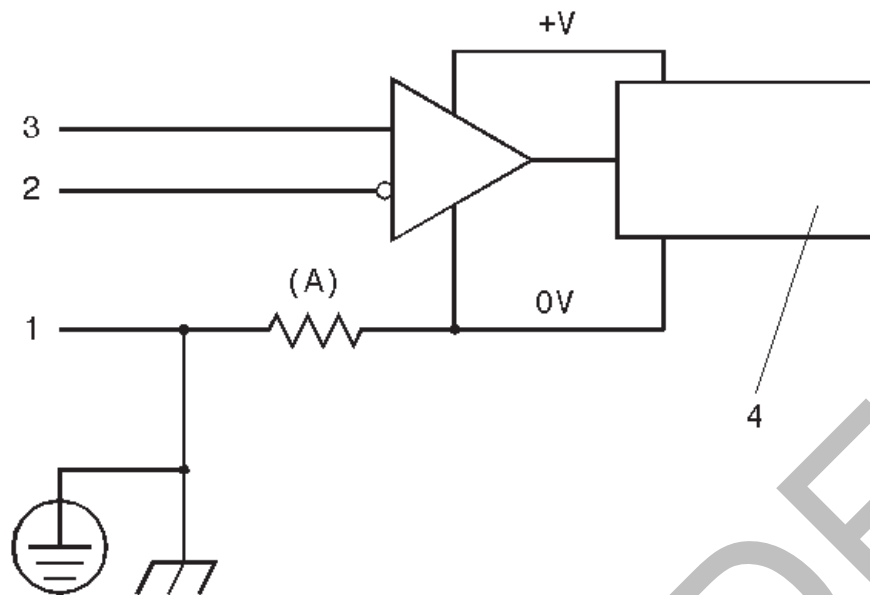


Figure Key

- 1 - DMX512 Data Link Common
- 2 - DMX512 Data 1- (or Data 2-)
- 3 - DMX512 Data 1+ (or Data 2+)
- 4 - Other Electronics
- A - Optional Resistance (see text)

Figure A3 - Grounded Receiver

Ports using this topology shall be marked using the standard symbol representation as defined in clause 10.5 and be declared.

A4 Earth grounding of data link common for floating devices

Figure A4 illustrates a floating topology. Floating is both an input and an output topology and is an additional allowable topology. It is often confused with the isolated DMX512 topology. As with the isolated topology, any input or output signal pin or contact shall present a resistance (B) greater than 22 Mohm at 42 VDC with respect to Chassis, and with respect to Protective Ground (where fitted). It differs from an isolated topology in that there is no requirement of isolation between DMX512 inputs and outputs. The resistance between Data Link Common's pin or contact of the DMX512 input and Data Link Common's pin or contact of the DMX512 output shall be less than 0.2 ohms. There may be a capacitance (not shown) between Data Link Common and chassis for the purpose of Radio Frequency bypass. Any resistance (A) between any Data Link Common's pin or contact and the zero volt supply (circuit common) of the transmitter and receiver circuits shall be less than 100 ohms.

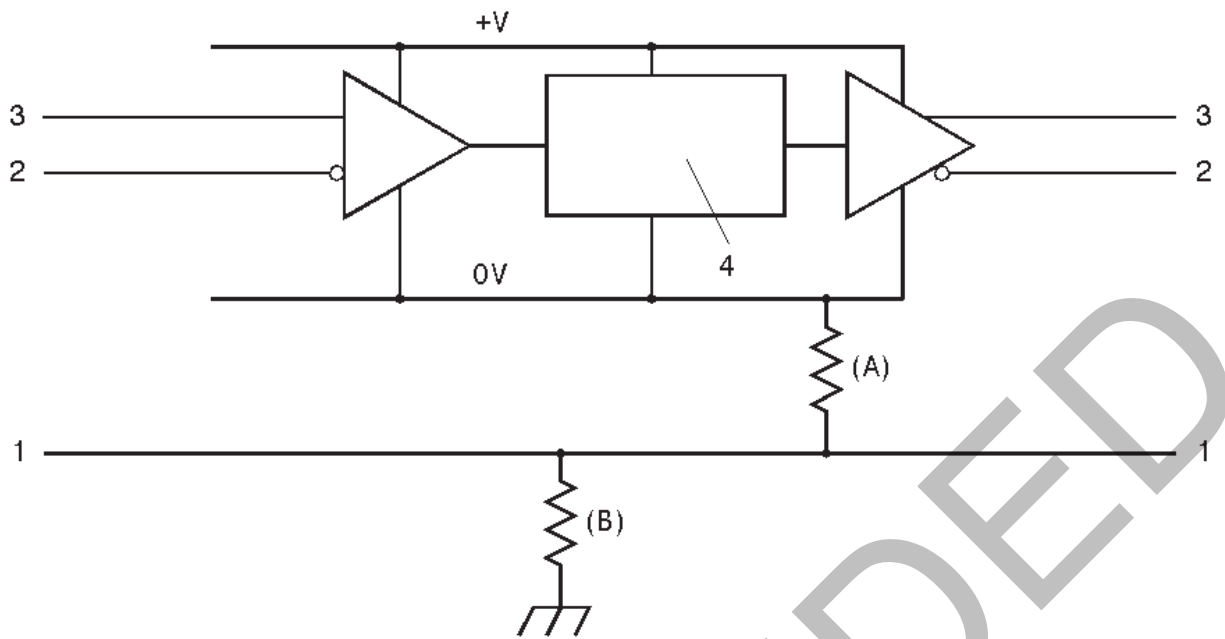


Figure Key

- 1 - DMX512 Data Link Common
- 2 - DMX512 Data 1- (or Data 2-)
- 3 - DMX512 Data 1+ (or Data 2+)
- 4 - Other Electronics
- A - Optional resistance (see text)
- B - Optional resistance (see text)

Figure A4 - DMX512 Device, Floating

The grounding of a device using this topology is determined by the connected devices. For that reason this topology shall not be used for devices that provide ground referenced non-DMX512 input or output ports unless those ports are isolated from DMX512 lines by an impedance of at least 22 Mohms.

Both input and output ports of a floating device shall be marked FLT, FLOAT, or FLOATING. A device may have only one floating DMX512 receiver port.

Annex B - (Normative) - Enhanced DMX512

B1 General

The original and 1990 versions of USITT DMX512 called out an “Optional Second Data Link.” There was no detailed guidance for its use. The majority of legacy systems did not use the second data link at all. Many uses of the second data link have been implemented over the years. While many of these were reasonable, a few uses clearly were not compliant with EIA-485-A. These uses vary in both their electrical requirements and in the data protocol used. One of the purposes of this standard is to regularize the use of the second data link. It is no longer possible to select a single implementation and forbid all others. However, not all historical uses will be allowed to continue.

The network topologies needed to support Enhanced Functions are identified by an EF number. This edition of the standard supports four different EF topologies.





The introduction of standard EF topologies in no way changes backward compatibility of primary data link functions. In all cases, regardless of the EF topology, all DMX512 transmitters and receivers shall be able to interchange DMX512 data on the primary data link. All DMX512 devices shall be able to be connected without damage. All DMX512 devices shall not be damaged by connection to compliant legacy devices.

A DMX512 controlled device capable of returning status information is referred to as a responder in this standard. For the purposes of this standard, responders are not considered to fall under the category of transmitting devices.

B2 Summary of Enhanced Function Topologies

The Enhanced Function topologies are summarized in table B1. The data format on primary data link (Data 1- and Data 1+) shall adhere to the DMX512-A Standard.

Table B1 - Enhanced Function Topologies

EF#	Symbol (Optional)	Description	Comment
1		half duplex EIA-485-A signals on primary data link; return signals on primary data link controlled by a registered Alternate START Code; no functionality on secondary data link	
2		unidirectional DMX512 data on primary data link (EIA-485-A signals) and return EIA-485-A signals on secondary data link	
3		unidirectional DMX512 data on primary data link (EIA-485-A signals) and half duplex EIA-485-A signals on secondary data link	refer to manufacturers instructions
4		half duplex EIA-485-A signals on both pairs; return signal on primary data link controlled by a registered Alternate START Code	

Note: References to unidirectional data are with respect to a transmitting device.

Different physical DMX512 ports on a product may be of different EF topologies and shall be declared and marked as required in clause 10.

B3 Identification of data protocols for Enhanced DMX512

The EF topology specifies the electrical and operating mode for the data links. It does not detail the data structure or protocol. The method of identifying data structures or protocols using the defined EF numbers is by way of an additional registered number placed after the EF number, separated from the EF number by a period. The registry for these designations will be maintained by the Secretariat for the ANSI E1 Accredited Standards Committee – ESTA (see Annexes D and E). Numbers ending in zero are reserved for future development of the standard (e.g., EF1.0, EF1.10, EF2.20).

B3.1 EF1 Half duplex DMX512 - Bi-directional use of the primary data link

Systems that send data in both directions on the primary data link are classified as EF1. These systems shall use the primary data link for both the NULL START Code DMX512 signal packets as well as return data controlled by the use of Alternate START Code packets. There is no specific requirement that EF1 devices use NULL START Code packets for any of their functions – that requirement is defined by the specific EF protocol.

An EF1 system shall use polled responses on the primary data link, such that a receiving device can not transmit a packet unless instructed to by an appropriate Alternate START Code packet from the controller. All response packets shall begin with an Alternate START Code. Once configured, any functions using EF1 shall use collision free data protocols.

All packets in an EF1 system shall follow the normal timing and limits for a DMX512 packet. There may be additional timing limits imposed by the chosen protocol. Any additional timing limits are beyond the scope of this standard.

B3.1.1 Bi-directional distribution amplifiers for EF1

Systems using EF1 topologies require bi-directional distribution/return data combiners. These combiners shall control the direction of data flow on the primary data link. The design of such a bi-directional distribution/return data combiner requires detailed understanding of the protocol timings. Therefore, the design of bi-directional distribution/return data combiners for EF1 without knowledge of the protocol to be used is meaningless. The requirements for such designs are beyond the scope of this standard.

B3.1.2 Termination of EF1 system

Termination of EF1 primary data links shall conform to the electrical requirements of clause 4.9. Additionally, EF1 systems shall terminate each end of the primary data link. Therefore, EF1 controllers and other transmitting devices shall provide a means to terminate the primary data link. Such terminations may also require specific line biasing or other methods to ensure integrity of returned data that are beyond the scope of this standard.

B3.2 Full duplex DMX512

The EF2 topology uses the second data link to provide a data path to return information from controlled devices. The data on second data link shall be unidirectional flowing from the controlled

devices to the controller. This data link will operate in multi transmitter multipoint mode. In this mode the primary and secondary links comprise a full duplex data link.

Each responder shall have an EIA-485-A transmitter for the second data link with a driver enable control. The driver enable control shall be driven so that each responder can control the state of the return data link while transmitting its response bytes. Once configured only one responder shall be enabled at once and there shall be at least one bit time between one responder going inactive and the next going active. In general, the line driver can be enabled one bit time prior to transmission, and disabled one bit time after the last bit has been sent.

Once configured, any functions using EF2 shall use collision free data protocols. EF2 protocols shall also be structured to allow the use of data distribution amplifiers that meet the requirements of clause B3.2.2.

B3.2.1 Wiring of EF2 DMX512 ports

EF2 responders having two DMX512 ports for receive and transmit shall provide a direct passive link for Data 2- and Data 2+ between those ports (clause 4.8.2). The responder transmitter shall be connected to this passive link. Devices having three or more DMX512 ports shall wire the additional ports in a manner appropriate for the device's functionality. The manner in which these ports are wired shall be clearly detailed in the product's manual. Devices having three or more ports shall have two ports wired as a loop through with an attached responder transmitter.

B3.2.2 Bi-directional distribution amplifiers for EF2

Systems using EF2 topologies require bi-directional distribution amplifiers/return data combiners. The DMX512 primary data link may be split and separately buffered as in standard DMX512 buffers. Return data receivers shall be "wire-OR" connected within a unit. This combined received data signal is used to drive back to the return data monitor.

The bi-directional distribution amplifier shall not perform any processing on the data, since some response protocols depend upon the relationship with outbound DMX512 to synchronize the return data.

B3.2.3 Termination of EF2 data links

EF2 systems shall terminate the primary data link following the requirements of clause 4.9. They shall also terminate the secondary data link to conform to the electrical requirements of 4.9 except that both ends of the secondary data link shall be terminated. Therefore, EF2 controllers and other transmitting devices shall provide a means to terminate the secondary data link. Such terminations may also require specific line biasing or other methods to ensure integrity of returned data that are beyond the scope of this standard.

B3.3 EF3 Half duplex on the second data link

Systems that send data in both directions on the secondary data link are classified as EF3. These systems shall use the primary data link to send a standard unidirectional DMX512 signal.

B3.3.1 Bi-directional distribution amplifiers for EF3

Systems using EF3 topologies require bi-directional distribution/return data combiners. These combiners shall control the direction of data flow on the secondary data link. The design of such a bi-directional distribution/return data combiners requires detailed understanding of the protocol timings. Therefore, the design of bi-directional distribution/return data combiners for EF3 without knowledge of the protocol to be used is meaningless. The requirements for such designs are beyond the scope of this standard.

B3.3.2 Termination of EF3 data links

EF3 systems shall terminate the primary data link following the requirements of clause 4.9. They shall also terminate the secondary data link to conform to the electrical requirements of 4.9 except that both ends of the secondary data link shall be terminated. Therefore, EF3 controllers and other transmitting devices shall provide a means to terminate the secondary data link. Such terminations may also require specific line biasing or other methods to ensure integrity of returned data that are beyond the scope of this standard.

B3.4 EF3 Protocols that use the primary and the secondary data links in ways not covered above

Systems that use the primary and the secondary data links to send data in both directions are classified as EF4. Both data links shall comply with the requirements of clauses B3.1 (EF1) and fall within the scope of EIA-485-A except that the use of the secondary data link is optional.

B3.5 Additional electrical requirements

The details of a particular protocol using an EF topology may necessitate additional electrical requirements. These requirements are beyond the scope of this document.

Annex C - (Normative) - Higher Protection Levels - “DMX512-A Protected”

Some manufacturers feel it is prudent to employ higher levels of protection on their DMX512 ports than is specified in EIA-485-A. Many semiconductor manufacturers have recognized the need for higher protection and have produced “fault protected transceivers.” The tables below indicate the minimum requirements for a protected DMX512 port. If a manufacturer’s DMX512 port meets these requirements, the port can be declared as “DMX512-A Protected”.

Table C1 - Transmitter Protection

Connection	Minimum Protection Limit		
	Ground Referenced	Isolated	Floating
Data 1- to Data Link Common or Data 1+ to Data Link Common	30 VAC / ± 42 VDC		
Data 2- to Data Link Common or Data 2+ to Data Link Common	30 VAC / ± 42 VDC		
Data 1- to Data 1+	30 VAC / ± 42 VDC		
Data 2- to Data 2+	30 VAC / ± 42 VDC		
	Ground Referenced	Isolated	Floating
Data Link Common to Chassis	< 0.2 ohms	N/A	N/A
Any other non Data Link Common Port Pin or contact to Chassis	30 VAC / ± 42 VDC	N/A	N/A
Any Port Pin or Contact to Chassis	N/A	30 VAC / ± 42 VDC	30 VAC / ± 42 VDC

Table C2 - Receiver Protection

Connection	Minimum Protection Limit		
	Non-Isolated	Isolated	Floating
Data 1- to Data Link Common or Data 1+ to Data Link Common	30 VAC / ± 42 VDC		
Data 2- to Data Link Common or Data 2+ to Data Link Common	30 VAC / ± 42 VDC		
Data 1- to Data 1+	30 VAC / ± 42 VDC		
Data 2- to Data 2+	30 VAC / ± 42 VDC		
	Non-Isolated	Isolated	Floating
Data Link Common to Chassis	-note 1-	N/A	N/A
Any other non Data Link Common Port Pin or contact to Chassis	30 VAC / ± 42 VDC	N/A	N/A
Any Port Pin or Contact to Chassis	N/A	30 VAC / ± 42 VDC 100Mohm at 50 VDC	30 VAC / ± 42 VDC ≥22Mohm at 50 VDC

Note 1: This cannot be characterized in terms of voltage. Clause A2 (Receiver Characteristics) allows manufacturers to fit a resistance between chassis and Data Link Common for the purpose of limiting the current in the shield due to small ground differentials. Any such resistance shall survive continuous connection to voltages within the EIA-485 Common Mode range of -7/+12 VDC.

Annex D - (Normative) - Reserved Alternate START Codes

D1 Reserved Alternate START Codes

Several Alternate START Codes are reserved for special purposes or for future development of the Standard. No equipment shall be manufactured that generates Alternate START Codes 92 - A9 (146 - 169 decimal) or AB - CD (171 - 205 decimal) until their use is defined by the Standard or by the E1 Accredited Standards Committee. Manufacturers shall not advertise or sell products or devices that use Alternate START Codes F0 - F7 (240 - 247 decimal).

Table D1 - Reserved Alternate START Codes

Alternate START Codes			
Hexadecimal	Decimal	Purpose	Note
17h	23	Text Packet	see Annex Clause D2 for implementation
55h	85	Test Packet	see Annex Clause D3 for implementation
90h	144	90h is reserved for future expansion	
91h	145	91h followed by a 2 byte Manufacturer ID field is reserved for Manufacturer/Organization specific use, transmitted byte order is MSB, LSB. The next byte after the Manufacturer's ID would normally be a manufacturer's sub-code	The Manufacturer ID serves as an identifier that the data following in that packet is proprietary to that entity and should be ignored by all others
92h - A9h	146 - 169	possible future revisions of this Standard	Use not currently permitted
ABh - CDh	171 - 205	possible future revisions of this Standard	Use not currently permitted
CFh	207	System Information Packet	see Annex Clause D4 for implementation
F0h - F7h	240 - 247	prototyping/experimental use while the manufacturer/organization is waiting for their registered Alternate START Code to be assigned	Not permitted in shipping product

D2 ASC text packet

Alternate START Code 17h (23 decimal) shall designate a special packet of between 3 and 512 data slots. The purpose of the ASC text packet is to allow equipment to send diagnostic information formatted for display.

Slot allocation is as follows:

Slot 1: Page number of one of the possible 256 text pages.

Slot 2: Characters per Line. Indicates the number of characters per line that the transmitting device has used for the purposes of formatting the text. A slot value of zero indicates ignore this field.

Slots 3-512: Consecutive display characters in ASCII format. All characters are allowed and where a DMX512 text viewer is capable, it shall display the data using the ISO/IEC 646 standard character set. A slot value of zero shall terminate the ASCII string. Slots transmitted after this null terminator up to the reset sequence shall be ignored.

D3 ASC test packet

Alternate START Code 55h (85 decimal) shall designate a special test packet of 512 data slots, where all data slots carry the value 55h (85 decimal). Test packets shall be sent so that the time from the start of the Break until the stop bit of the 513th slot shall be no more than 25 milliseconds. When test packets are sent back to back, the Mark Before Break time shall be no more than 88 microseconds. The Break timing for test packets shall be greater than or equal to 88 microseconds, and less than or equal to 120 microseconds. The Mark After Break time shall be greater than or equal to 8 microseconds and less than or equal to 16 microseconds.

D4 System information packet (SIP) Alternate START Code

Alternate START Code CFh (207 decimal) is reserved for a System Information Packet (SIP). The SIP includes a method of sending checksum data relating to the previous NULL START Code packet on the data link and other control information. No other packet shall be sent between the NULL START Code packet and the SIP that carries its checksum.

D4.1 Application

Manufacturers of control consoles are encouraged to transmit SIPs, either as a background to normal processing or, in conjunction with the special test packet, as part of their suite of system test functions. One of the current problems with testing of DMX512 installations is that it must be done with static test packets – certain modes of testers cannot be used while a console is actually running the show, as by definition the DMX512 packets are varying as each cue runs. The interleaving of SIP's would allow some degree of live testing, particularly if one or more test packets were also sent applicable to the functionality of the receiving device.

Note: For systems requiring a more reliable link, manufacturers would have the option of following every normal packet with a SIP packet, although it is recognized that this would degrade data throughput. It could be used with systems that send packets of fewer than 512 DMX512 data slots or refresh data at less than the maximum rate.

D4.2 SIP format

The SIP Packet Length is 24 data slots in the format specified in Table D2. Receivers shall be required to accept SIPs of up to 255 data slots to allow for future expansion.

D4.3 SIP checksum pointer

Transmitting devices shall send a value of 24 in slot 1 that represents the length of SIP Packet in this version of the Standard. Receivers shall use the value received in slot 1 to establish the offset to the SIP checksum.

Table D2 - SIP Format

Slot	Definition	Refer to Clause
1	SIP Byte Count/SIP Checksum pointer (valid value is 24)	D4.3
2	Control Bit Field	D4.4
3	MSB of 16 bit additive Checksum of previous packet	D4.5
4	LSB of the 16 bit Checksum of previous packet	D4.5
5	SIP sequence number	D4.6
6	DMX512 universe number	D4.7
7	DMX512 processing level	D4.8
8	Version of Software sending this SIP	D4.9
9	Standard Packet Len MSB	
10	Standard Packet Len LSB	D4.10
11	Number of Packets transmitted by originating device since last SIP MSB	
12	Number of Packets transmitted by originating device since last SIP LSB	
13	Originating Device's Manufacturer ID MSB	D4.11
14	Originating Device's Manufacturer ID LSB	D4.12
15	Second Device's Manufacturer ID MSB	D4.13
16	Second Device's Manufacturer ID LSB	D4.13
17	3rd Device's Manufacturer ID MSB	D4.13
18	3rd Device's Manufacturer ID LSB	D4.13
19	4th Device's Manufacturer ID MSB	D4.13
20	4th Device's Manufacturer ID LSB	D4.13
21	5th Device's Manufacturer ID MSB	D4.13
22	5th Device's Manufacturer ID LSB	D4.13
23	<i>reserved for future use - transmit as 0</i>	
24 - (nn-1)	<i>reserved for future use</i>	D4.3
nn (max 255)	8-bit Additive Checksum of the SIP	D4.14

D4.4 Control bit field

d7	d6	d5	d4	d3	d2	d1	d0
reserved transmit as 0	reserved transmit as 0	reserved transmit as 0	reserved transmit as 0	reserved transmit as 0	reserved transmit as 0	previous packet bit set = 1	subsequent NULL packet hold control bit set=1

D4.4.1 Subsequent NULL packet hold control bit d0

Processing of the subsequent NULL packet hold Control Bit is optional. If implemented, when the subsequent NULL packet hold Control Bit is set (=1), the subsequent NULL START Code packet shall be held pending the reception of the next SIP for validation of the checksum. If a second NULL START Code packet is received without a preceding SIP, the receiver shall return to an immediate use mode.

D4.4.2 Previous packet bit d1

Set (= 1) if previous packet was an Alternate Start Code (ASC) packet.

D4.5 Checksums

16 bit ones complement additive checksum of all slots in the previous packet. The checksum includes the START Code.

D4.6 SIP Sequence number

A free running 8 bit counter identifying the SIP and incremented by a SIP generator by 01h on every subsequent SIP. This field may be checked to ensure that SIPs have not been missed.

D4.7 Originating universe

This slot indicates the (originating) DMX512 universe currently transmitted on this link. 00h is not used. Valid values are 01h - FFh (1 decimal - 255 decimal).

D4.8 DMX512 processing level

This slot indicates the level of post controller processing. Originating devices shall always transmit a value of 00h in this field. Processing devices such as merge units or any that regenerate or provide a media conversion (e.g., Ethernet to DMX512) facility and do not explicitly block ASC packets per clause D3 shall increment the value of this field by 01h. The content of this field indicates a level of process "hops" that data on the link has been subjected to relative to the originating transmitting device.

D4.9 Software version

00h not implemented
01h - FFh firmware version of last device

Note: This slot is for use by the manufacturer and may not correlate with any formally published release identifier.

D4.10 Packet lengths

This declares the standard length of packets for START Code 00, normally transmitted on this link.

Valid values are

- 0000h packet length not declared
- 0001h - 0200h designates value of fixed packet length
- 0201h - 7FFFh are reserved
- 8000h Dynamic Packet, length not declared
- 8001h - 8200h length of last dynamic packet
- 8201h - FFFFh are reserved

D4.11 Number of packets

A 16 bit count of the number of packets transmitted by the originating device since last SIP was transmitted. This count should not increment past FFFFh.

D4.12 Manufacturer ID

Manufacturer ID will be the same 16 bit assignment as used for the Manufacturer's ID field used with Alternate START Code 91h (see Annex E - clause E1).

an ID == 0000h indicates that Manufacturer is not declared.

an ID == FFFFh indicates that Manufacturer has applied for, but not been granted, an ID and that this transmission originates from a product under development.

D4.13 Packet history

DMX512 Processing devices and media converters that process SIPs shall be required to insert their own Manufacturer's ID into the SIP packet. An originating device shall always send its Manufacturer's ID in SIP slots 13 and 14, with 0000h in slots 15, 16; 17, 18; 19, 20 and 21, 22. Subsequent processing devices shall insert their manufacturer's ID into the slots as indicated by the DMX512 processing level slot. A processing level of 01h corresponds to the second device, a processing level of 02h corresponds to the third device, and so on.

Note: This scheme allows for a packet processing history to be traced back through a complex installation of products.

D4.14 SIP Checksum

8 bit ones complement additive checksum of the SIP START Code (CFh) and all subsequent slots of SIP data.

Annex E - (Normative) - Alternate START Code, Manufacturer ID, and Enhanced Functionality Registration

E1 Alternate START code registration policy - 1 - 255 decimal (01 - FF hexadecimal)

Slot 0 of a DMX512 packet is the START Code. The value of this slot identifies intended use of data in the rest of the packet. The Standard provides for a non NULL or "Alternate" START Code. Where it is required to send proprietary information over a DMX512 data link, a packet starting with a registered Alternate START Code shall be used.

E2 Authorized use

The E1 Accredited Standards Committee or any organization that it authorizes may use an Alternate START Code to provide further extensions to the DMX512 Standard.

E3 Reserved Alternate START Codes

Several Alternate START Codes are reserved for special purposes or for future development of the Standard. See Annex D.

E4 Requests for registration of new START Codes

Any manufacturer or organization involved in the use of DMX512 may request that a START Code or Manufacturer ID be registered for their use. Although not encouraged, an Alternate START Code and Manufacturer ID may be registered for proprietary use. Requests shall be forwarded to the Secretariat for the ANSI E1 Accredited Standards Committee – ESTA. ESTA will attempt to honor such reasonable requests as described below.

E4.1 Number of Alternate START Codes per entity

No more than one Alternate START Code may be registered to any one manufacturer/organization. Manufacturers and Organizations with Alternate START Codes registered prior to the publication of this Standard may request one additional Alternate START Code.

E4.2 Selection of the Alternate START Code value and Manufacturer ID

The assignment of any particular numeric START Code or Manufacturer ID value to any particular entity is solely at the discretion of Accredited Standards Committee E1. Assignment depends on the availability of unused and unreserved START Codes and Manufacturer IDs.

E5 Requirement for registration of an EF protocol

No EF protocol intended for use between multiple Manufacturers will be registered as an EF protocol unless its basic structure is available to anyone by request and can be used freely by any manufacturer. The entire message structure for the protocol does not have to be made public, only the portions that are for public use. It is expected that some protocols may still have portions of the message structure that are reserved for proprietary use (i.e., vendor specific messages). Registration is at the discretion of Accredited Standards Committee E1.

E6 Document register

E6.1 Documentation for use of Alternate START Codes

The manufacturer/organization requesting registration of an Alternate START Code shall provide a 2-line description of the purpose of the Alternate START Code. They shall list the minimum and maximum number of slots, including the START Code, in any proposed packet. Any provided description (subject to editing) shall be included in the Register. This is not required for functions associated with a manufacturer specific ID under Alternate START Code 91h. It is recommended, but not required, for Alternate START Codes assigned prior to the adoption of this version of the Standard.

E6.2 Maintenance and publication

The ANSI E1 Accredited Standards Committee through its secretariat (ESTA) shall maintain a Register of Alternate START Codes and Manufacturer IDs. ESTA will publish the Registry as needed.

E6.3 Supplement documentation

If the manufacturer/organization wishes detailed documentation to be in the Public Domain, a note will be added to the Registry, but they will be responsible for such publication.

E7 Ownership

The DMX512 Standards are copyrighted. By registering a START Code or Manufacturer ID, no ownership rights are conferred to any third party. Alternate START Codes are registered to particular entities solely to allow for orderly management of the Standard. The registrant does not own the Alternate START Code or Manufacturer ID.

Annex F - (Informative) - Protocol Implementation Conformance Statement (PICS for Annexes A through E

F1 Introduction

The supplier of a protocol implementation that is claimed to conform to any of the Annexes for ANSI E1.11, shall complete the following Protocol Implementation Conformance Statement (PICS) for each applicable annex.

F2 Implementation identification

F2.1 Identification

Manufacturer	
Contact information for inquiries about the PICS (Note 1)	
Implementation Name(s) and Version(s) (Notes 1,2)	
Other information necessary for full identification – e.g., name(s) and version(s) for equipment and/or operating systems; System Name(s) (Note 3)	

Note 1: Required for all implementations

Note 2: The terms Name and Version should be interpreted appropriately to correspond with a supplier's terminology (e.g., Type, Series, Model).

Note 3: May be completed as appropriate in meeting the requirements for the identification.

F2.2 Protocol summary

Identification of the Protocol Annex	ANSI E1.11 – USITT DMX512-A <input type="checkbox"/> Annex A - Non Preferred (alternate) Topologies <input type="checkbox"/> Annex B - Enhanced DMX512 [] <input type="checkbox"/> Annex C - Higher Protection Levels (DMX512-A Protected) <input type="checkbox"/> Annex D - Reserved Alternate START Codes <input type="checkbox"/> Annex E - Alternate START Code, Manufacturer ID, and Enhanced Functionality Registration			
Have any exceptions been required? (Yes means that the implementation does not comply with the standard.)	Annex A -	No []	Yes []	N/A []
	Annex B -	No []	Yes []	N/A []
	Annex C -	No []	Yes []	N/A []
	Annex D -	No []	Yes []	N/A []
	Annex E -	No []	Yes []	N/A []
Date of Statement				

F3 (PICS) tables for annexes A through E

F3.1 Annex A - Non preferred (alternate) topologies

Item	Feature	Clause	Value / Comment	Mandatory / Optional	Supported
IT1	Isolated Transmitter	Annex A	Transmitter is Isolated	O If Yes, compliance with Annex A1 required	No <input type="checkbox"/> Yes <input type="checkbox"/> N/A <input type="checkbox"/>
IT2	Isolated Transmitter	A1	presents a resistance (B) greater than 22 Mohm at 42 VDC with respect to Chassis and any other signal inputs or outputs, and with respect to other ground referenced electronics	M	No <input type="checkbox"/> Yes <input type="checkbox"/> N/A <input type="checkbox"/> Value if Yes: _____
IT3	Isolated Transmitter	A1	presents a resistance (B) greater than 22 Mohm at 42 VDC with respect to Protective Ground (where fitted)	M	No <input type="checkbox"/> Yes <input type="checkbox"/> N/A <input type="checkbox"/> Value if Yes: _____
IT4	Isolated Transmitter	A1 / Figure A1	Any resistance (A) between Data Link Common and zero volt supply (circuit common) of the transmitter circuit is less than 100 ohms	M	No <input type="checkbox"/> Yes <input type="checkbox"/> N/A <input type="checkbox"/> Value if Yes: _____
IT5	Isolated Transmitter	A1 / Table A1	Isolated Receiver Characteristics	M	No <input type="checkbox"/> Yes <input type="checkbox"/> N/A <input type="checkbox"/>
FR1	Non-Isolated Receiver	A2 / Figure A2	resistance (B) of 100 ohms is between Data Link Common and chassis	O If Yes, compliance with Annex A2 required	No <input type="checkbox"/> Yes <input type="checkbox"/> N/A <input type="checkbox"/>
FR2	Non-Isolated Receiver	A2 / Figure A2	resistance (B) safely dissipates two watts	M	No <input type="checkbox"/> Yes <input type="checkbox"/> N/A <input type="checkbox"/>
FR3	Non-Isolated Receiver	A2 / Figure A2	no other connection between data link common and chassis	M	No <input type="checkbox"/> Yes <input type="checkbox"/> N/A <input type="checkbox"/>
FR4	Non-Isolated Receiver	A2 / Figure A2	resistance (A) between Data Link Common and zero volt supply (circuit common) of the receiver circuit is less than 100 ohms	O	No <input type="checkbox"/> Yes <input type="checkbox"/> N/A <input type="checkbox"/> Value if Yes: _____
FR5	Non-Isolated Receiver - Multiple Ports	A2	when multiple ports are implemented, the total parallel resistance (B) is 100 ohms	O	No <input type="checkbox"/> Yes <input type="checkbox"/> N/A <input type="checkbox"/>

Item	Feature	Clause	Value / Comment	Mandatory / Optional	Supported
FR6	Non-Isolated Receiver	A2 / Table A2	Non-Isolated Receiver Characteristics	M	No [] Yes [] N/A []
FR7	Non-Isolated Receiver Optional Shield Current Limiting	A2	resistance of 100 ohms +/-20% between Chassis and Data Link Common	O	No [] Yes [] N/A []
FR8	Non-Isolated Receiver Permitted Output Connection	A2	the only output directly connected to this topology is a single passive DMX512 loop through port	M	No [] Yes [] N/A []
FR9	Non-Isolated Receiver Permitted Output Connection	A2	no other inputs or outputs are allowed with this topology unless they meet the requirements of clause A4	M	No [] Yes [] N/A []
GR1	Grounded Receiver	A3	receiver is grounded	O If Yes, compliance with Annex A3 required	No [] Yes [] N/A []
GR2	Chassis / Protective Earth Connection	A3	chassis and Data Link Common are connected to protective earth	M	No [] Yes []
GR3	Grounded Receiver	A3 / Figure A3	any resistance (A) between Data Link Common and zero volt supply (circuit common) of the transmitter circuit is less than 100 ohms	M	No [] Yes [] N/A [] Value if Yes: _____
GR4	Grounded Receiver Port Marking	A3 / 10.5	Grounded Receiver Ports marked per 10.5	M	No [] Yes []
FLT1	Floating Devices	A4	Device is Floating	O If Yes, compliance with Annex A4 required	No [] Yes [] N/A []

Item	Feature	Clause	Value / Comment	Mandatory / Optional	Supported
FLT2	Floating Devices	A4 / Figure A4	input or output presents a resistance (B) greater than 22 Mohm at 42 VDC with respect to Chassis and Protective Ground (where fitted) and there is no isolation between DMX512 inputs and outputs	M	No [] Yes [] N/A []
FLT3	Floating Devices Data Link Common	A4	resistance between Data Link Common of the DMX512 input and pin 1 of the DMX512 output is less than 0.2 ohms	M	No [] Yes [] N/A []
FLT4	Floating Devices	A4 / Figure A4	any resistance (A) between Data Link Common and zero volt supply (circuit common) of the transmitter circuit is less than 100 ohms	M	No [] Yes [] N/A [] Value if Yes: _____
FLT5	Floating Device non-DMX512 devices	A4	not be used for devices that provide ground referenced non-DMX512 input or output ports unless those ports are isolated from DMX512 lines by an impedance of at least 22 Mohms	M	No [] Yes [] N/A []
FLT6	Floating Device Marking	A4	Device is Marked FLT, FLOAT, or FLOATING	M	No [] Yes [] N/A []

F3.2 Annex B - Enhanced DMX512

Item	Feature	Clause	Value / Comment	Mandatory / Optional	Supported
EF	Enhanced Functionality	Annex B	Enhanced Functionality implemented	O If Yes, compliance with Annex B required	No [] Yes [] N/A []
EF1	Primary Data Link Functionality	B1	Interchange of data on Primary Data Link	M	No [] Yes []
EF2	Damage Withstand	B1	DMX512 devices connected without damage	M	No [] Yes []

Item	Feature	Clause	Value / Comment	Mandatory / Optional	Supported
EF3	Damage Withstand - Compliant Legacy	B1	DMX512 devices not damaged by connection to compliant legacy devices	M	No [] Yes []
EFPC	Port Data Format	B2 / Table B1	data format on primary data link compliant with USITT DMX512-A	M	No [] Yes []
EFTD	Enhanced Functionality Topology and Port Declaration	B2 / Clause 10	EF topologies on each port declared and marked per clause 10	M	No [] Yes []
EF1-1	EF1	B3.1	Primary Data Link uses both NSC packets and ASC Controlled Return Data	M	No [] Yes []
EF1-2	EF1 Polled Responses	B3.1	Polled responses used on the primary data link only when instructed to by an appropriate Alternate START Code packet from the controller	M	No [] Yes []
EF1-3	EF1 Polled Response Packet	B3.1	Response packets begin with an Alternate START Code	M	No [] Yes []
EF1-4	EF1 Collision Free Protocol	B3.1	Once configured, EF1 functions use collision free data protocols	M	No [] Yes []
EF1-5	EF1 Timings	B3.1	EF1 Packets follow the normal timing and limits of a DMX512 packet	M	No [] Yes []
EF1-6	EF1 Bi-directional Distribution Amplifiers	B3.1.1	Combiners control the direction of data flow on the primary data link	M	No [] Yes [] N/A[]
EF1-7	EF1 Data Link termination	B3.1.2	Termination of EF1 primary data links conforms to clause 4.9	M	No [] Yes []
EF1-8	EF1 Data Link termination	B3.1.2	EF1 systems terminate each end of the primary data link	M	No [] Yes []
EF1-9	EF1 Data Link termination	B3.1.2	EF1 controllers and other transmitting devices provide a means to terminate the primary data link	M	No [] Yes []

Item	Feature	Clause	Value / Comment	Mandatory / Optional	Supported
EF2-1	EF2	B3.2	Data (return data) on second data link is unidirectional from the controlled devices to the controller	M	No [] Yes [] N/A[]
EF2-2	EF2 Responder	B3.2	Responder has an EIA-485-A transmitter for the second data link with a driver enable control	M	No [] Yes []
EF2-3	EF2 Responder	B3.2	Each responder controls the state of the return data link while transmitting its response bytes	M	No [] Yes []
EF2-4	EF2 Responder	B3.2	Once configured only one responder is enabled at one time	M	No [] Yes []
EF2-5	EF2 Responder	B3.2	At least one bit time exists between one responder going inactive and the next going active	M	No [] Yes []
EF2-6	EF2 Protocol	B3.2	EF2 functions use collision free data protocols, structured to allow the use of data distribution amplifiers that meet the requirements of clause B3.2.2	M	No [] Yes []
EF2-7	Two Port Receive & Transmit EF2	B3.2.1 / 4.8.2	Device Wiring DMX512 ports for receive and transmit provide a direct passive link on secondary data link between those ports (clause 4.8.2)	M	No [] Yes [] N/A[]
EF2-8	Two Port Receive & Transmit EF2 Devices	B3.2.1	Responder transmitter be connected to passive link	M	No [] Yes []
EF2-9	Three or more Port Receive & Transmit EF2 Devices	B3.2.1	Devices having three or more DMX512 additional ports wired in a manner appropriate for the device's functionality	M	No [] Yes [] N/A[]

Item	Feature	Clause	Value / Comment	Mandatory / Optional	Supported
EF2-10	Three or more Port Receive & Transmit EF2 Devices	B3.2.1	The manner in which these ports are wired clearly detailed in the product's manual	M	No [] Yes []
EF2-11	Three or more Port Receive & Transmit EF2 Devices	B3.2.1	Devices having three or more ports have two ports wired as a loop through with an attached responder transmitter	M	No [] Yes []
EF2-12	EF2 Bi-directional Distribution Amplifiers	B3.2.2	Return data receivers "wire-OR" connected within the unit	M	No [] Yes [] N/A []
EF2-13	EF2 Bi-directional Distribution Amplifiers	B3.2.2	No processing of data performed by a bi-directional distribution amplifier	M	No [] Yes []
EF2-14	EF2 Data Link termination	B3.2.3 / 4.9	Termination of EF2 primary data links conforms to clause 4.9	M	No [] Yes []
EF2-15	EF2 Data Link termination	B3.2.3 / 4.9	EF2 systems terminate both ends of the secondary data link, conforming to 4.9	M	No [] Yes []
EF2-16	EF2 Data Link termination	B3.2.3	EF2 controllers and other transmitting devices provide a means to terminate the secondary data link	M	No [] Yes []
EF3	EF3	B3.3	EF3 systems use the primary data link to send a standard unidirectional DMX512 signal	M	No [] Yes [] N/A []
EF3-1	EF3 Bi-directional Distribution Amplifiers	B3.3.1	Distribution Amp/Data Combiner control the direction of data flow on the secondary data link	M	No [] Yes []
EF3-2	EF3 Data Link termination	B3.3.2 / 4.9	Termination of EF3 primary data links conforms to clause 4.9	M	No [] Yes []
EF3-3	EF3 Data Link termination	B3.3.2 / 4.9	EF3 systems terminate both ends of the secondary data link, conforming to 4.9	M	No [] Yes []

Item	Feature	Clause	Value / Comment	Mandatory / Optional	Supported
EF3-4	EF3 Data Link termination	B3.3.2	EF3 controllers and other transmitting devices provide a means to terminate the secondary data link	M	No [] Yes []
EF4-1	EF4	B3.4 / B3.1	Both data links comply with the requirements of clauses B3.1 (EF1) and fall within the scope of EIA-485-A	M	No [] Yes [] N/A []
EF4-2	EF4	B3.4 / B3.1	use of the secondary data link is optional	M	No [] Yes [] N/A []

F3.3 Annex C - Higher Protection Levels (DMX512-A Protected)

Item	Feature	Clause	Value / Comment	Mandatory / Optional	Supported
HPT	Higher Protection Levels - Transmitters	C / Table C1	Protection Limits per Table C1	O	No [] Yes [] N/A []
HPR1	Higher Protection Levels - Receivers	C / Table C2	Protection Limits per Table C2	O	No [] Yes [] N/A []
HPR2	Higher Protection Levels - Receivers	C / Table C2 Note	Any resistance fitted between chassis and Data Link Common survives continuous connection to voltages within the EIA-485 Common Mode range of -7/+12 VDC	O	No [] Yes [] N/A []

F3.4 Annex D - Reserved Alternate START Codes

Item	Feature	Clause	Value / Comment	Mandatory / Optional	Supported
RASC1	Reserved Alternate START Codes	D1 / Table D1	Equipment does not generate Alternate START Codes 92 - A9 (146 - 169 decimal) or AB - CD (171 - 205 decimal)	M	No [] Yes [] N/A []
RASC2	Reserved Alternate START Codes - Development	D1 / Table D1	No advertisement or sale of devices that use Alternate START Codes F0 - F7 (240 - 247 decimal)	M	No [] Yes []
RASC3	Text packet	D2	ASC 17h (23 decimal) used for text packet	O	No [] Yes [] N/A []

Item	Feature	Clause	Value / Comment	Mandatory / Optional	Supported
RASC4	Text packet	D2	Packet implements ISO/IEC 646	M	No [] Yes []
RASC5	Text packet	D2	Slot value of zero terminates the ASCII string	M	No [] Yes []
RASC6	Text packet	D2	Slots transmitted after this null terminator up to the reset sequence are ignored	M	No [] Yes []
RASC7	Test packet format	D3	ASC 55h (85 decimal) designates special test packet of 512 data slots carrying the value 55h (85 decimal)	O	No [] Yes [] N/A []
RASC8	Test packet time	D3	Test packet the time from the start of the Break until the stop bit of the 513th slot is no more than 25 milliseconds	M	No [] Yes [] Value if Yes: _____
RASC9	Test packet Back-to-Back	D3	When test packets are sent back to back, MBB time no more than 88 μ sec	M	No [] Yes [] Value if Yes: _____
RASC10	Test packet Break time	D3	Break timing for test packets shall be $\geq 88 \mu$ sec $\leq 120 \mu$ sec	M	No [] Yes [] Value if Yes: _____
RASC11	Test packet MAB	D3	The MAB time $\geq 8 \mu$ sec $\leq 16 \mu$ sec		No [] Yes [] Value if Yes: _____
SIP	System Information Packet (SIP)	D4	No other packet sent between the NSC packet and the SIP (ASC CFh - 207 decimal) that carries its checksum	O	No [] Yes [] N/A []
SIP01	System Information Packet (SIP) format	D4.2 / Table D2	Receivers accepts SIPs of up to 255 data slots	M	No [] Yes []
SIP02	System Information Packet (SIP) - Transmitter	D4.3	Transmitting devices sends a value of 24 in slot 1	M	No [] Yes []
SIP03	System Information Packet (SIP) - Receiver	D4.3	Receivers use the value received in slot 1 to establish the offset to the SIP checksum	M	No [] Yes []

Item	Feature	Clause	Value / Comment	Mandatory / Optional	Supported
SIP04	System Information Packet (SIP)	D4 / D4.4.1	If implemented, when the subsequent NULL packet hold Control Bit is set (=1), the subsequent NULL START Code packet held pending the reception of the next SIP for validation of the checksum	M	No [] Yes [] N/A[]
SIP05	System Information Packet (SIP)	D4 / D4.4.1	If a second NULL START Code packet is received without a preceding SIP, the receiver returns to an immediate use mode	M	No [] Yes []
SIP06	System Information Packet (SIP) - DMX512 Processing Level	D4.8 / Table D2	Originating devices transmits a value of 00h in slot 7	M	No [] Yes []
SIP07	System Information Packet (SIP) - DMX512 Processing Level	D4.8 / Table D2	Processing devices increment the value of this field by 01h	M	No [] Yes [] N/A[] N/A because: _____
SIP08	System Information Packet (SIP) - Packet History	D4.13	DMX512 Processing devices and media converters insert their own Manufacturer's ID into the SIP packet	M	No [] Yes []
SIP09	System Information Packet (SIP) - Packet History	D4.13	Originating device sends its Manufacturer's ID in SIP slots 13 and 14, with 0000h in slots 15, 16; 17, 18; 19, 20 and 21, 22	M	No [] Yes [] N/A[]
SIP10	System Information Packet (SIP) - Packet History	D4.13	Subsequent processing devices insert their manufacturer's ID into the slots as indicated by the DMX512 processing level slot	M	No [] Yes [] N/A[]

F3.5 Annex E - Alternate START Code, Manufacturer ID, and Enhanced Functionality Registration

Item	Feature	Clause	Value / Comment	Mandatory / Optional	Supported
ASC	Alternate START Codes	E	ASC not covered by Annex D are used	O	No [] Yes [] N/A[]
AC1	ASC Registration	E4	ASC Registered through E1 Secretariat	M	No [] Yes [] N/A[]
AC2	ASC Registration	E6.1	2-line description of the purpose of the Alternate START Code provided	M	No [] Yes [] N/A[]
AC3	ASC Registration	E6.1	Minimum and maximum number of slots, including the START Code, in any proposed packet listed	M	No [] Yes [] N/A[]
AC4	ASC Register - by E1 Secretariat	E6.1	Description (subject to editing) has been provided to the E1 Secretariat for inclusion in the Register	M	No [] Yes [] N/A[]
AC5	ASC Register - by E1 Secretariat	E6.2	E1 Secretariat maintains Register	M	No [] Yes [] N/A[]

Contact Information

E1 Secretariat

Entertainment Services and Technology Association
Karl G. Ruling
Technical Standards Manager
ESTA
875 Sixth Avenue, Suite 1005
New York, NY 10001
Phone: +1-212-244-1505
FAX: +1-212-244-1502
email: kruling@esta.org

Technical Standards Committee Chairperson

Mr. Mike Garl
President
James Thomas Engineering, Inc.
10240 Caneel Drive
Knoxville, TN 37931
Phone: +1-865-692-3060
FAX: +1-865-692-9020
email: mikeg@jthomaseng.com

Control Protocols Working Group Chairpersons

Steve Carlson (thru 2003)
High Speed Design, Inc.
11929 N. W. Old Quarry Road
Portland, OR 97229
Phone: +1-503-626-4206
FAX: +1-503-626-4206
email: scarlson@hspdesign.com

Tracy Underhill (2004)
Electronics Diversified Inc.
1099 S. Walden Way #205
Aurora, CO 80017
Phone: +1-303-306-9170
FAX: +1-303-306-7636
email: tracy.underhill@edionline.com

Steve Terry
Electronic Theatre Controls, Inc.
630 Ninth Avenue, Suite 1001
New York, NY 10036
Phone: +1-212-397-8080
FAX: +1-212-397-4340
email: sterry@etconnect.com

Acknowledgments:

Control Protocols Working Group - DMX512 Task Group Members:
Chair/Editor: Mitch Hefter, Entertainment Technology; USITT (USA)

Tim Bachman, A.C.T. Lighting (USA)
Scott Blair (USA)
Javid Butler, Mainstage (USA)
Steve Carlson, High Speed Design (USA)
Tim Cox, PLASA (UK)
Milton Davis, Doug Fleenor Design (USA)
Tony Douglas-Beveridge, PLASA (UK)
Doug Fleenor, Doug Fleenor Design (USA)
Bob Goddard, Goddard Design (USA)
Dave Higgins, Pathway Connectivity (Canada)
Wayne Howell, Artistic Licence (UK)
Paul Mardon, Pulsar Light of Cambridge (UK)
Ted Paget, Jones & Phillips (USA)
Eckart Steffens, Soundlight; VPLT (Germany)
Steve Terry, Electronic Theatre Controls (USA)
Michael A. (Sandy) Twose, Sand Systems (Canada)
Steve Unwin, Pulsar Light of Cambridge (UK)
Peter Willis, Howard Eaton Lighting Ltd. (UK)

SUPERSEDED

Control Protocols Working Group

Principal voting members at the time this document was approved by the Working Group:

Tim Bachman; A.C.T Lighting, Inc. [DR]
Arnold Tang; Arnold Tang Productions [U]
Wayne David Howell; Artistic Licence (UK) Ltd. [CP]
Tobin Neis; Barbizon Companies [DR]
George Kindler; Carter & Burgess, Inc. [G]
Doug Fleenor; Doug Fleenor Design, Inc. [MP]
Daniel W. Antonuk; Electronic Theatre Controls, Inc. [MP]
Tracy Underhill; Electronics Diversified Inc. [MP]
Alfred Langguth; Embedded Controls by Design, LLC [MP]
Philip Nye; Engineering Arts [G]
Robert Goddard; Goddard Design Co. [MP]
Scott M. Blair; High End Systems Inc. [MP]
Steve Carlson; High Speed Design, Inc. [MP]
Alan Martello; Horizon Control Inc. [MP]
Peter Willis; Howard Eaton Lighting Ltd. [CP]
Richard Thornton Brown; i Light Group PLC [MP]
Edwin S. Kramer; I.A.T.S.E. Local 1 [U]
Roger Lattin; I.A.T.S.E. Local 728 [U]
Rick Leinen; Leviton Manufacturing Co., Inc. [MP]
John (Javid) D. Butler; Mainstage Theatrical Supply [DR]
Ole Bystrup; Martin Professional A/S [MP]
Gary Douglas; Pathway Connectivity Inc. [MP]
James Eade; PLASA [G]
Hans Lau; Sand Network Systems [MP]
Michael Gonzales; Spectrum Lighting Inc. [DR]
Richard Lawrence; Strand Lighting Ltd. [MP]
Brian Dowd; TMB [U]
Mitch Hefter; USITT [U]
Charles Reese; VLPS [MP]
Mark Jensen; Wybron, Inc. [MP]

Alternate voting members:

Simon Hobday; Artistic Licence (UK) Ltd. [CP]
Ken Wagner; Doug Fleenor Design, Inc. [MP]
Milton Davis; Doug Fleenor Design, Inc. [MP]
Steve Terry; Electronic Theatre Controls, Inc. [MP]
James Johnson; Electronics Diversified Inc. [MP]
Tom Grimes; High End Systems, Inc. [MP]
Robert Bell; Horizon Control Inc. [MP]
John Huntington; I.A.T.S.E. Local 1 [U]
Alan M. Rowe; I.A.T.S.E. Local 728 [U]
Dennis Grow; I.A.T.S.E. Local 728 [U]
Ken Vannice; Leviton Manufacturing Co., Inc. [MP]
Dave Higgins; Pathway Connectivity Inc. [MP]
Kevin Loewen; Pathway Connectivity Inc. [MP]
Tony Douglas-Beveridge; PLASA [G]
Michael A. (Sandy) Twose; Sand Network Systems [MP]
Yngve Sandboe; Sand Network Systems [MP]
Michael Lay; Strand Lighting Ltd. [MP]

Observer members:

Andre Broucke; ADB-TTV Group [MP]
John Sellers; AIM Northwest [G]
Steve Friedlander; Auerbach Pollock Friedlander [U]
Raymond Wynn; AVL Systems Pty Ltd. [MP]
J. B. Toby; Avolites Ltd. [MP]
Richard Salzedo; Avolites Ltd. [MP]
Shahid Anwar; Avolites Ltd. [MP]
Barbara Wohlsen; Barbara Wohlsen [U]
Bernardo Benito Rico; Ben-Ri Electronica S.A. [MP]
Lee J. Bloch; Blue Sky Design, Ltd. [G]
Soo-Myong Chung; Blue Sky Design, Ltd. [G]
Bradley Klinkradt; Bradley Klinkradt [G]
Ted Fregon; Bytecraft Pty. Ltd. [MP]
Bill Ellis; Candela Controls, Inc. [U]
Rick Szijarto; Cast Group of Companies, Inc. [CP]
Marty Lazarus; Chicago Spotlight, Inc. [G]
Larry Dunn; City Theatrical, Inc. [CP]
Fabiano Pina; Clay Paky S.P.A. [MP]
Woody Smith; Coemar USA Inc. [MP]
Ohad Ashery; Compulite Systems [MP]
Simeon Aladjem; Compulite Systems [MP]
Yehuda Shukram; Compulite Systems [MP]
Dietmar Rottinghaus; Connex GmbH [G]
Jason Friedman; Creative Realities, Inc. [G]
David Bertenshaw; David Bertenshaw [G]
Bob Toms; Design Advantage LLC [G]
Gary Dove; Dove Systems [MP]
Jussi Kallioinen; Eastway Sound & Lighting [U]
Ed Jones; Edwin Jones Co., Inc. [CP]
Joost van Eenbergen; ELC Lighting [MP]
Bill Fehrmann; Electrol Engineering, Inc. [MP]
Adam Bennette; Electronic Theatre Controls, Inc. [MP]
Anders Ekvall; Electronic Theatre Controls, Inc. [MP]
Hans Leiter; Electronic Theatre Controls, Inc. [MP]
Erwin Rol; Erwin Rol [G]
Sierk Janszen; Ground Zero [U]
Liao Wei Min; GuangZhou HeDong Electronic Co., Ltd. [G]
Alan P. Symonds; Harvard University [U]
Trevor Forrest; Helvar Lighting Control [MP]
Bill Hewlett; Hewlett Electronics [CP]
Gian Carlo C. Bartolotti; Ibeam SP / Banco de Eventos [U]
Geoffrey O. Thompson; IEEE 802.3/Nortel Networks [G]
Rob Johnston; Interactive Technologies, Inc. [MP]
Larry Schoeneman; Interesting Products, Inc. [G]
David Timmins; Jands Electronics [MP]
Helge Hoffmann; JB Lighting [MP]
Christopher Purpura; Jones & Phillips Associates, Inc. [G]
Edward Paget; Jones & Phillips Associates, Inc. [G]
John Mehlretter; Lehigh Electric Products Co. [MP]
Mark T. Kraft; Lehigh Electric Products Co. [MP]
William L. Maiman; Lex Products Corp. [MP]
Klaus Amling; Licht-Technik [P]
Andrew Sherar; Lightmoves PLC [MP]
Simon Alpert; Lighttech Event Technologies [CP]
Gary Pritchard; LSC Lighting Systems PTY Ltd [MP]
Bart Swinnen; Luminex LCE [MP]
J. P. Steiner; Lutron Electronics [MP]
Jim Holladay; Luxence [G]
Hiroshi Kita; Marumo Electric Co., Ltd. [MP]
Petri Laine; Obelux Oy [CP]
Edward R. Condit; On Location Lighting Systems [DR]
Stuart Cotts; Oregon Shakespeare Festival [U]
David A. Boller; Organic Machines LLC [CP]
William Benner; Pangolin Laser Systems [MP]
Mac Perkins; PNTA Inc. [G]
Paul F. Mardon; Pulsar Ltd. [MP]
Steve Unwin; Pulsar Ltd. [MP]
Stephen J. Tyrrell; Quantum Logic [MP]
Douglas Franz; QVC Network [U]
Charlie Richmond; Richmond Sound Design Ltd. [CP]
Martin Farnik; Robe Show Lighting s.r.o. [MP]
Kenneth Mockler; Scéno Plus [U]
Mick Martin; ShowCAD Control Systems [MP]
Loren Wilton; Showman Systems [CP]
Jon R. Farley; Sixteenth Avenue Systems [CP]
Robert Barbagallo; Solotech Inc. [U]
Ujjal Kar; Standard Robotics & Lighting [G]
Paul K. Ericson; Syska Hennessy Group Lighting Design [U]
Stephen Bickford; T. Kondos Associates [U]
Tad Trylski; Tad Trylski [U]
Klas Dalbjorn; TC Group [MP]
Jerry Gorrell; Theatre Safety Programs [G]
Colin Waters; TMB [U]
Jason Potterf; University of Texas at Austin [G]
Matt Stroud; University of Texas at Austin [G]
Torrey Bievenour; Vision Quest Lighting [G]
Eckart Steffens; VPLT [G]
Eric Cornwell; West Side Systems [U]
John Sondericker III; Wybron, Inc. [MP]

[CP] = custom-market producer [DR] = dealer rental company [G] = general interest
[MP] = mass-market producer [U] = user